



2022





Welcome to Preston Innovations 2022



The past 12-months has certainly been challenging; however, we have pressed on and delivered several outstanding products! We at Preston Innovations would like to thank each and every one of you for the continued support that allows us to keep producing and developing the very best and most innovative fishing tackle available.

Innovation has yet again been at the core of our continued success with a huge investment into product development, design, and manufacturing. Using our team of consultants, we have worked tirelessly to develop their ideas with the help of our expert design team. Every product begins when our anglers spot something they need when in real fishing situations. State of the art design programs and manufacturing techniques are then used to keep us at the forefront of product development. It is this that we believe keeps us ahead of the competition

2022 is set to be another huge year for Preston Innovations, we've released some truly outstanding products which are at the forefront of fishing tackle design.

The **Superium Pole range** has been a near two-year project, constantly tweaking and testing to create what we believe are the finest poles on the market. Price point was a key consideration when developing this range, each model offers outstanding performance in their price sector, something we are extremely proud of.

This year also sees the introduction of the **Euro XS Carp range**. A dedicated range of poles to meet the demands of the European market. Each model offer's unrivalled strength, rigidity and overall balance, perfect for battling the largest of fish that are often found in mainland Europe. We

truly believe this pole range are set to be extremely popular amongst many anglers!

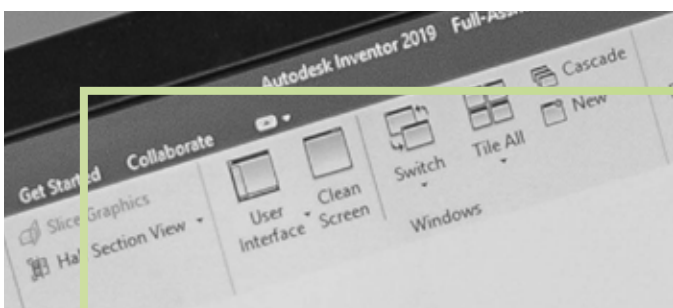
On the other end of the scale, we have launched several extremely successful and innovative items of terminal tackle. The **Banjo XR**, **Precision Pellet Wagglers** and **Float Max line** are just some examples.

We have also introduced several key products into our OffBox and Absolute seatbox accessories. The **Absolute Platform** takes centre stage, this platform has been designed from the ground up by our expert development team. Not only does this platform look fantastic, but it is also compact, lightweight, and extremely user friendly, a perfect example of innovation.

Clothing is something that we have taken very seriously this year. Both cotton and waterproof wear has seen several stylish and practical garments introduced into their ranges. The **Celcius range** has seen two fantastic additions, joggers and a thermal suit. Both products are essential wear for the winter months, they offer the perfect barrier from the elements, especially when used in conjunction with each other. Our waterproof range has seen the introduction of the **DFX**, a premium suit which offers the ultimate all-year round protection.

From all of us at Preston Innovations we hope you enjoy the 2022 Consumer Guide, and we wish you all the very best for the years ahead.

Preston Innovations

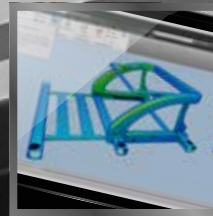
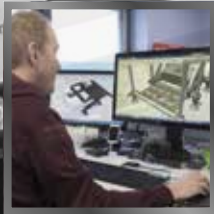
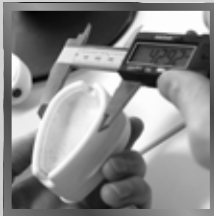


Product Design

We invest heavily in our research and development department, always striving to advance our latest innovations and new product designs. Our team of skilled product designers and expert CAD engineers are invaluable to keeping Preston Innovations one step ahead of the competition.

Utilising the latest 3D rapid prototyping technology has been essential to maintaining the pace of our new product releases, enabling our product design team and angling consultants to meticulously develop the best products possible. This unique form of product development has been a vital aspect to Preston Innovations growth over recent years, significantly improving our product reliability and usability.

At Preston Innovations, we believe that effective product development is vital to creating the most reliable and user-friendly products for our customers.





Contents

- 6 // POLES
- 32 // ROLLER PULLA
- 34 // POLE ROLLERS
- 38 // RODS
- 54 // REELS
- 66 // SEATBOXES
- 90 // OFFBOX
- 114 // BAIT PREPARATION & STORAGE
- 116 // INBOX
- 122 // LUGGAGE
- 134 // NETS & BROLLIES
- 140 // ELASTICATION & POLE ACCESSORIES
- 146 // FLOATS
- 158 // LINE
- 162 // HOOKS
- 168 // ACCESSORIES
- 186 // CLOTHING



Poles

Our diverse variety of poles have been developed to suit every angler's requirements.

With over 25 years' experience developing poles, you can be assured that we have the finest products on offer. We use the finest grade Japanese carbon fibres and latest technologies to provide the stiffest, strongest, and most responsive poles possible.

Several ranges of poles cover both the UK and European requirements, with all models offering outstanding value for money.



- 8 // SUPERIUM
- 18 // EDGE MONSTER MARGIN
- 20 // MASTERCLASS XS
- 22 // EURO XS CARP
- 26 // EURO COMPETITION
- 30 // WHIPS



Superium Evolving Pole Technology

The Superium pole family is a culmination of 25 years' experience designing and developing poles. We have an illustrious history when it comes to pole design stretching right back to 1992!

Throughout our history, we have constantly learnt and developed pole ranges to suit modern trends and fishing scenarios.

This constant development and thirst for perfection has led us to reach the apex of pole design – Superium!

SUPERIUM - TOP KIT SIMPLICITY!

Superium is a true family of poles allowing you to interchange top kits no matter what pole you choose. So if you purchase a Superium X10, your top kits will interchange with our flagship X90 model. Crucially, the top kits are identical across the board. It was imperative to ensure that each pole performs at its very best. So, no cheap top kits just to fit a price! Superium top kits feature the ever-popular Roller Pulla System and are supplied pre-bushed with the correct sized internal bush to suit the top kit style. The kits also feature the EVA elastic alignment cones that were so important to our Response poles and ensure perfect elastic performance. All top kits also benefit from Depth Marker Indicators to allow for precise pole fishing, this is particularly important for F1 and shallow fishing where depth is key. We also simplified the spare kit options for Superium. Nothing is more confusing than looking to purchase a pole only to be greeted with a clutter of different kits. We looked at what top kits were actually necessary and we have:

Match Kit 2.4m – Two-piece top kits Featuring 2.2mm internal bushes and a reinforced wrap to allow the user to fit a Roller Pulla if required. Perfect for light elastics on natural waters and commercials.

F1 Kit 2.4m (standard and grey) – Two-Piece top kits Featuring a 3.7mm internal bush and pre-fitted with a Roller Pulla. Designed for medium strength elastics, ideal for F1s and smaller carp.

Carp Kit 2.4m – Two-piece kits featuring a 4mm internal bush and pre-fitted with a Roller Pulla. Super-strong top kits designed to deal with hard-fighting carp and heavier elastics.

F1 Short Kit (standard and grey) – One-piece 1.85m top kit pre-fitted with 3.7mm internal bush and Roller Pulla. Developed to target F1s and smaller carp.



SUPERIUM X90

P0240056 Superium X90 16m **£2,999.99***

The pinnacle of pole design. The Superium X90 is, quite simply, the finest pole we have ever developed. Incredibly stiff at all lengths making rig control precise and easy. The Superium X90 offers strength and durability previously only seen on cheaper poles. A beautiful pole that is the true flagship of the Superium series.

PACKAGE

- 16m Pole inc Mini Extension
- Match Kit supplied in pole
- 2 x Match Top 3 Kits (3.95m)
- 2 x Match Top 2 Kits (2.4m)
- 2 x F1 Kits (2.4m)
- 4 x Carp Kits (2.4m)
- 1 x Kup Kit
- 1 x Superium Holdall

LENGTH	CLOSED LENGTH	TOP 2 LENGTH
16m	185cm	240cm
ELASTIC RATING	NO. OF SECTIONS	TOP 3 LENGTH
20	10	395cm





A POLE FOR EVERY OCCASION

There has been a Superium pole designed to excel no matter what style of fishing you are looking at doing or whatever budget you have. We have developed eight models in the Superium range, and each has been designed to be the very best, whether you choose a Superium Margin or a Superium X90!



EASY SHIP FINISH

All Superium poles feature an Easy Ship Finish that makes pole handling easy no matter what the weather condition.



BACKWARDS COMPATIBLE

Own a Response pole? Although we have tweaked the mandrel on the poles, the top three sections from Response poles will fit with Superium models.



MODERN MANDREL DESIGN

The Response mandrel created some very stiff poles but we knew we could make Superium even better! We took what we learnt from the Response mandrel and tweaked it to produce the stiffest poles we possibly could. A slightly slimmer mandrel and different tapers combine to create peak rigidity in each model. The X90, X70, X50 and Carp models are all built on the same mandrel. While the X30, X20 and X10 have their own mandrel to ensure premium performance. All poles top kits interchange no matter which model you choose and anglers with Response poles can interchange the top 3 sections of their existing pole with any Superium model.



BUILT TO LAST!

Durability is everything when investing in high-class carbon and Superium benefits from our new joint-saving feature - Dura Wrap Technology. This impressive tech is designed to prolong the life of the poles joints even when the pole suffers intense usage. Dura Wrap also features on the poles butt sections to really toughen and strengthen the key areas that are put under extreme pressure.



JAPANESE CARBON TECHNOLOGY

We use only the finest Japanese carbon technology to produce the stiffest, strongest and most well-balanced poles possible. Superium poles are incredibly responsive even at long lengths yet offer strength and durability in abundance.



EXPANSIVE KIT PACKAGES

Anglers demand comprehensive spares packs and we have designed each spares package to perfectly suit each pole in the family. The flagship Superium X90 is supplied with a staggering 12 top kits and each pole is supplied with a quality Superium holdall!



TRUE LENGTH DESIGN

Each pole in the range measures its true length when the reinforced mini extension is used. Far from a gimmick, these super-strong mini extensions will prevent any damage to those expensive butt sections whilst making sure you are fishing at full length.



SUPERIUM X70

P0240057 Superium X70 16m **£1,849.99***

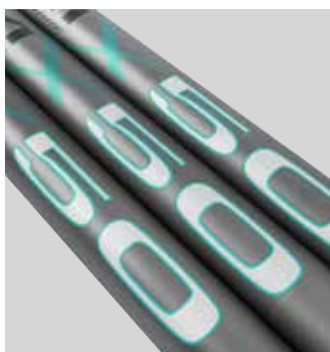
A beautiful all-rounder, the Superium X70 offers performance never seen before at this price! The pole remains super stiff even at the full 16 metres. Very well-balanced at every length, the X70 can conquer commercials and master natural venues with ease.

PACKAGE

- 16m Pole inc. Mini Extension
- Match Kit supplied in pole
- 2 x Match Top 2 Kits (2.4m)
- 2 x F1 Kits (2.4m)
- 4 x Carp Kits (2.4m)
- 1 x Kup Kit
- 1 x Superium Holdall

LENGTH	CLOSED LENGTH	TOP 2 LENGTH	ELASTIC RATING	NO. OF SECTIONS
16m	185cm	240cm	20	10





SUPERIUM X50

P0240058 Superium X50 16m **£1,349.99***

We still do not know how we have managed to produce a pole of this quality for this price! Throughout testing our consultant team were amazed by this pole to the point where they thought we had the price wrong! An amazing pole that is a true joy to use and own.

PACKAGE

- 16m Pole inc. Mini Extension
- Match Kit supplied in pole
- 1 x Match Top 2 Kit (2.4m)
- 2 x F1 Kits (2.4m)
- 4 x Carp Kits (2.4m)
- 1 x Kup Kit
- 1 x Superium Holdall

LENGTH	CLOSED LENGTH	TOP 2 LENGTH	ELASTIC RATING	NO. OF SECTIONS
16m	185cm	240cm	20	10





SUPERIUM CARP

P0240062 Superium Carp 16m **£1,499.99***

Today's commercial waters are becoming more demanding, larger weights are needed to win matches and the fish continue to grow! The Superium Carp is designed to cope with these demands while still offering performance normally associated with lightweight flagship poles. This pole fully interchanges with the X50, X70 and X90.

PACKAGE

- 16m Pole inc. Mini Extension
- Carp Kit supplied in pole
- 7 x Carp Kits (2.4m)
- 1 x Kup Kit
- 1 x Superium Holdall

LENGTH	CLOSED LENGTH	TOP 2 LENGTH	ELASTIC RATING	NO. OF SECTIONS
16m	185cm	240cm	20	10



*RRP = *Adviesverkoopprijs *Unverbindliche Preisempfehlung *Prix de vente conseillé *Prix recommandé *Prezzo di vendita raccomandato *Doporučení maloobchodní cena *Ajánlott *Odporucana *Cena rekomendowana *Recommended retail price *Rekommenderat pris * Pret recomandat cu amanuntul



NEW
2022



SUPERIUM MARGIN

P0240063 Superium Margin 8.5m **£349.99***
 P6200117 Superium Margin 10m Extension **£104.99***

A super strong margin pole that is incredibly light and stiff. It truly is a stunning 8.5m pole that can deal with the heaviest elastics available yet has the performance of a lightweight model. The perfect partner to any of the other Superium poles.

PACKAGE

- 8.5m Pole
- Carp Kit supplied in pole
- 2 x Carp Kits (2.4m)
- 1 x Superium Margin Holdall

LENGTH	CLOSED LENGTH	TOP 2 LENGTH	ELASTIC RATING	NO. OF SECTIONS
8.5m	170cm	240cm	20	6





SUPERIUM X30

P0240059 Superium X30 16m **£999.99***

A true 16m pole that offers impressive rigidity at all lengths and awesome strength when dealing with hard fighting carp and stronger pole elastics. A superb all-round pole that gives anglers the option of fishing at 16 metres without breaking the bank!

PACKAGE

- 16m Pole inc. Mini Extension
- Match Kit supplied in pole
- 2 x F1 Kits (2.4m)
- 2 x Carp Kits (2.4m)
- 1 x Kup Kits
- 1 x Superium Holdall

LENGTH	CLOSED LENGTH	TOP 2 LENGTH	ELASTIC RATING	NO. OF SECTIONS
16m	185cm	240cm	20	10





SUPERIUM X20

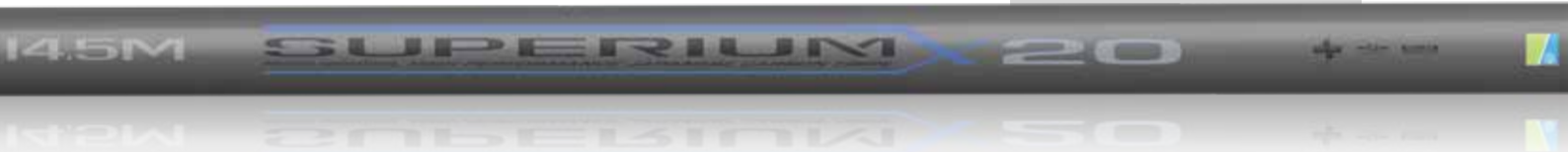
P0240060 Superium X20 14.5m **£749.99***

The Superium X20 is the perfect 14.5m model that can deal with carp fishing and silverfish situations. Well balanced even at 14.5m, the Superium X20 feels light in the hand and has the rigidity to fish delicate rigs at full length.

PACKAGE

- 14.5m Pole inc. Mini Extension
- Match Kit supplied in pole
- 1 x F1 Kit (2.4m)
- 2 x Carp Kit (2.4m)
- 1 x Kup Kit
- 1 x Superium Holdall

LENGTH	CLOSED LENGTH	TOP 2 LENGTH	ELASTIC RATING	NO. OF SECTIONS
14.5m	185cm	240cm	20	9





SUPERIUM X10

P0240061 Superium X10 13m **£569.99***

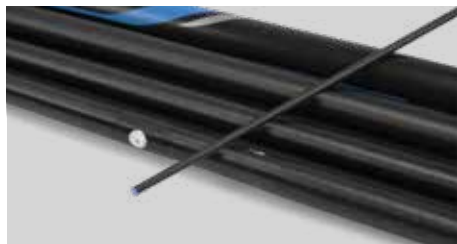
The perfect all-round 13m pole, the Superium X10 is suitable for any style of fishing thanks to its impressive rigidity and strength. The X10 is ideal for the angler who only wishes to fish up to 13m but is also the ideal 'next-step' for anglers looking to advance from a shorter margin pole.

PACKAGE

- 13m Pole inc. Mini Extension
- Match Kit supplied in pole
- 2 x Carp Kit (2.4m)
- 1 x Kup Kit
- 1 x Superium Holdall

LENGTH	CLOSED LENGTH	TOP 2 LENGTH	ELASTIC RATING	NO. OF SECTIONS
13m	185cm	240cm	20	8





EDGE MONSTER MARGIN 8.5M

P0240039 Edge Monster Margin Pole 8.5m **£179.99***

P4190001 Power Top 2 Kit **£44.99***

The Edge Monster Margin Pole is manufactured using a quality carbon fibre composite making it super strong and ultra rigid, ideal for extracting large carp from margins or fishing at its full length for species such as F1's and silverfish. With key features such as our easy ship finish, section alignment arrows and 20+ elastic rating this pole is a truly exceptional performer within its price bracket. The pole comes supplied with one spare Power Top 2 Kit and one Power Kit in the pole. Both of these top kits feature our revolutionary Roller Pulla system and come fitted with a PTFE bush, all are supplied in PVC tubes and a dedicated pole holdall for safe transit.

PACKAGE

- 1 x 8.5m Edge Monster Margin Pole (inc. Mini Extension)
- 1 x Spare Power Top 2 Kit
- 1 x Pole Holdall with Tubes

LENGTH	CLOSED LENGTH	TOP 2 LENGTH	ELASTIC RATING	NO. OF SECTIONS
8.5m	171cm	290cm	20	5





EDGE MONSTER MARGIN 10M

P0240055 Edge Monster Margin 10m **£229.99***

P6200001 10m Butt Section **£89.99***

Supplied at 10m with its Mini Extension, the Edge Monster Margin 10m pole is constructed from quality carbon fibre and is strong enough to extract large carp from the margins. It has the balance to fish at its full length for carp and F1's where the extra 10m length can really help to reach those areas that are usually out of range for a conventional margin pole. The pole includes a spare Power Top 2 Kit in addition to the one included in the pole, both of which are virtually ready to fish with a Roller Pulla Bush and a PTFE bush fitted. The complete package is supplied in PVC tubes for safe transit.

PACKAGE

- 1 x 10m Edge Monster Margin Pole (inc. Mini Extension)
- 1 x Spare Roller Pulla Power Top 2 Kit
- 1 x Pole Holdall with tubes

LENGTH	CLOSED LENGTH	TOP 2 LENGTH	ELASTIC RATING	NO. OF SECTIONS
10m	175cm	290cm	20	6

10m

EDGE MONSTER MARGIN

10m

EDGE MONSTER MARGIN

★★ EUROPE ONLY ★★



MasterClass XS

The Masterclass XS range of poles are constructed from high quality carbon fibre giving them incredible rigidity, balance and strength. Each pole is supplied in two different length options with packages to suit, creating great all-round poles for the European market. Reinforced Mini Extensions are included to ensure you are fishing at the correct distance while a Roller Pulla Power Kit is available separately for when small carp and other larger species may be encountered.



★ ★ EUROPE ONLY ★ ★



11.5M PACKAGE

- 1 x 11.5m MasterClass XS4 Pole
- 1 x Top 3 Kit
- 1 x 10/11.5m Mini Extension

13M PACKAGE

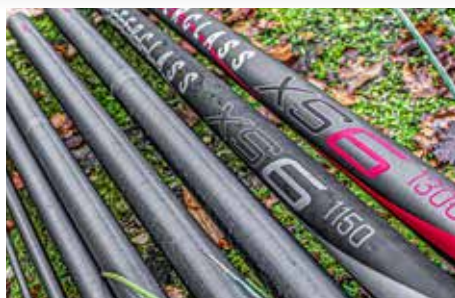
- 1 x 13m MasterClass XS4 Pole
- 2 x Top 3 Kits
- 1 x 10/11.5m Mini Extension
- 1 x 13m Mini Extension
- 1 x Kipping Kit with Kups

MASTERCLASS XS4

P0240051 XS4 11.5m **£429.99*** / P0240052 XS4 13m **£609.99***

A true all-rounder the XS4 has been developed to cope with the rigorous demands of modern-day angling and has a whole host of features which make it a dream to use. This pole is perfect for rivers, lakes and canals and is packed full of strength which gives you full confidence when playing larger fish. The pole comes supplied with a set of mini extensions which ensures you are fishing the correct length.

	LENGTH	CLOSED LENGTH	TOP 3 LENGTH	ELASTIC RATING	NO. OF SECTIONS
P0240051	11.5m	175cm	307cm	16	7
P0240052	13m	176cm	307cm	16	8



11.5M PACKAGE

- 1 x 11.5m MasterClass XS6 Pole
- 2 x Top 3 Kits
- 1 x 10/11.5m Mini Extension

13M PACKAGE

- 1 x 13m MasterClass XS6 Pole
- 2 x Top 4 Kits
- 1 x 10/11.5m Mini Extension
- 1 x 13m Mini Extension
- 1 x Kipping Kit with Kups

MASTERCLASS XS6

P0240053 XS6 11.5m **£629.99*** / P0240054 XS6 13m **£849.99***

This pole has been developed to be a true all-rounder and is at home on a variety of venues. The XS6 is the top of the range model within the MasterClass range and is extremely stiff, strong and easy to handle, perfect for the serious match angler! The pole comes supplied with a set of mini extensions to ensure you are fishing the correct length.

	LENGTH	CLOSED LENGTH	TOP 3 LENGTH	ELASTIC RATING	NO. OF SECTIONS
P0240053	11.5m	175cm	307cm	16	7
P0240054	13m	176cm	307cm	16	8



★★ EUROPE ONLY ★★

Euro XS Carp

The Euro XS Carp poles have been built on the same mandrels and solid bases as the very popular Euro Carp range to keep complete compatibility between these two generations of poles. The range of poles are simply superb with many new key features and reinforcements making them more durable and offering a greater overall performance than their predecessors.

The Euro XS Carp range has been designed to meet the demands of competitors in carpodrome's but also for anglers specimen fishing on natural waters. Whatever style of fishing you prefer, you will find a pole in the range to suit.

The XS range of poles has been developed with high modulus Japanese "Toray" carbons, the most durable and resistant available which offers responsive and well-balanced poles to help when fishing with a CAD pot and trying to hit the shyest bites. We have strengthened the joints and the most under pressure parts of these poles to offer them longevity and durability over time.

All the poles in the Euro XS Carp range have a monobloc tip with an internal diameter of 4.5mm which comes pre-fitted with a quality PTFE internal bush. At the end of every section 2, there is an EVA cone with a PTFE bush to offer a perfect sliding and protection of your elastics in two sections.

Kits and cupping kits have the same length to keep your fishing really accurate. The cup kits are equipped with a PTFE screw bush compatible with Preston Innovations Kups.

The Euro XS Carp range is completely interchangeable with the Euro range, which is perfect for Euro poles owners.



★★ EUROPE ONLY ★★

EURO XS CARP 1000

P0240064 13m **£1,399.99*** / P0240065 11.5m **£1,099.99***
 P4210014 1000 Top 2 Kit **£99.99***

The flagship model of the Euro XS Carp range, this pole is at the forefront of technology and will satisfy the most technical Carpodrome anglers. It offers stiffness, balance, and power, all in abundance. All the joints of the pole are reinforced to offer durability and strength, while a new carbon weaving process coupled with a 1k carbon reinforcement on the most used joints provides added reassurance. It comes with a large package and a set of mini-extensions allowing you to preserve your pole when you are fishing short or mid-distances, or simply to fish past your feed area. Each section 2 has a reinforced area that can be drilled to fit a Roller Pulla bush.

13M PACKAGE

- 13m Pole
- 3 x Spare Top 2 Kit
- 4 x Mini Extension
- 1 x Deluxe Holdall

11.5M PACKAGE

- 11.5m Pole
- 2 x Spare Top 2 Kit
- 3 x Mini Extension
- 1 x Deluxe Holdall

	LENGTH	CLOSED LENGTH	TOP 2 LENGTH	ELASTIC RATING	NO. OF SECTIONS
P0240064	13m	190cm	162cm	20	8
P0240065	11.5m	185cm	162cm	20	7



EURO XS CARP 800

P0240066 13m **£899.99*** / P0240067 11.5m **£669.99*** / P0240068 10m pole only **£399.99***
 P4210015 Top 2 Kit **£84.99*** / P4210016 Top 3 Kit **£149.99***

The Euro XS Carp 800 is extremely powerful but has a perfect balance between handling, stiffness, and strength. It can be used in carpodromes as well as on natural waters in search of big fish! All the joints are reinforced to offer durability and strength with a new carbon weaving process coupled with a 1k carbon reinforcement. Comes with a comprehensive package, it is available in 13m and 11.5m lengths, and in 10m as a pole only.

13M PACKAGE

- 13m Pole
- 3 x Spare Top 2 Kit
- 4 x Mini Extension
- 1 x Deluxe Holdall

11.5M PACKAGE

- 11.5m Pole
- 2 x Spare Top 2 Kit
- 3 x Mini Extension
- 1 x Deluxe Holdall

10M PACKAGE

- 10m Pole inc. Mini Extension
- 1 x Deluxe Holdall

	LENGTH	CLOSED LENGTH	TOP 2 LENGTH	ELASTIC RATING	NO. OF SECTIONS
P0240066	13m	190cm	162cm	20	8
P0240067	11.5m	185cm	162cm	20	7
P0240068	10m	170cm	162cm	20	6



★★ EUROPE ONLY ★★



EURO XS CARP 600

P0240069 11.5m **£589.99***
 P4210017 600 Top 2 Kit **£72.99***

Built on the same key feature as the 800 and 1000, the Euro XS Carp 600 have been designed to tackle the biggest fish but also to target the snaggy areas where lots of power is required! All the joints have been reinforced to offer durability and strength. This powerful and very strong pole is responsive and stiff, which is important when using a CAD pot and hitting bites. Comes with a C-Drome Roller Pulla bush on the second section, which takes up to a maximum of a 4mm elastic.

PACKAGE

- 11.5m Pole
- 1 x Spare Top 2 Kit
- 3 x Mini Extension
- 1 x Deluxe Holdall

LENGTH	CLOSED LENGTH	TOP 2 LENGTH	ELASTIC RATING	NO. OF SECTIONS
11.5m	185cm	150cm	20	7



EURO XS CARP 400

P0240073 10m **£369.99***
 P4210018 400 Top 2 Kit **£72.99***

The Euro XS Carp 400 is perfect for anglers fishing Carpodromes for the first time or for the one who target big wild fish. Also great as a second pole for the owners of Euro and Euro XS poles. Supplied with C-Drome Roller Pulla bush.

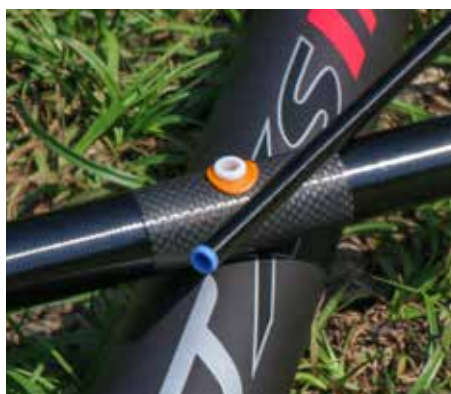
PACKAGE

- 10m Pole
- 1 x Spare Top 2 Kit
- 2 x Mini Extension
- 1 x Holdall

LENGTH	CLOSED LENGTH	TOP 2 LENGTH	ELASTIC RATING	NO. OF SECTIONS
10m	170cm	166cm	20	6



★ ★ EUROPE ONLY ★ ★



EURO XS CARP 300

P0240070 10m pole only **£299.99***

The strongest pole of the Euro XS Carp range, the Carp 300 is powerful while being well balanced and responsive! It will allow you to target big fish in very snaggy spots. Supplied with a C-Drome Roller Pulla bush and a PTFE internal bush, you can place elastics up to 4mm.

PACKAGE

- 10m Pole Inc Mini Extension
- 1 x Holdall

LENGTH	CLOSED LENGTH	ELASTIC RATING	NO. OF SECTIONS
10m	170cm	20	6



EURO XS EDGE

P0240071 6m **£139.99*** / P0240072 4.5m **£99.99***

This new range of short poles has been designed to offer you a short and powerful pole while keeping compatibility with your Euro XS and Euro top kits. Suitable for targeting the biggest fish in the snaggiest pegs! Available in 4.5m and 6m, they come with an internal bush and C-Drome Roller Pulla bush.

	LENGTH	CLOSED LENGTH	ELASTIC RATING	NO. OF SECTIONS
P0240071	6m	165cm	20	4
P0240072	4.5m	165cm	20	3



★★ EUROPE ONLY ★★



Euro Competition

The Euro Competition range of poles consist of three poles which cover all the needs of the European competition angler and anglers who like fishing the long pole.

Each pole is supplied with a great package and is ready to fish. Each monobloc tip comes with an Internal PTFE bush with an inner diameter of 3.5mm. And every section 2 comes with an EVA alignment cone with PTFE bush for the anglers who want to put the elastic through two sections of the pole. A reinforced area is included for the angler who wants to fit a "Roller Pulla" Bush.

These poles have been designed for the European market by our team of experts. The joints have been reinforced to give durability and strength to the poles. The kipping kits are very strong and stiff, something extremely important for competition fishing. They are the same length as the pole top kits and come ready to use with our supplied pole kups.



★ ★ EUROPE ONLY ★ ★



EURO COMPETITION 3000

P0240021 13m **£2,499.99*** / P6180094 13m Top 4 Kit **£309.99***

This is the top of the range Competition pole and is extremely light and stiff. This pole is perfect for the serious competition angler, or any angler that really enjoys their fishing. Stiff, strong and easy to handle, each joint has been reinforced to give durability and strength to the pole. Comes complete with a monobloc tip with an inner diameter of 3.5mm and pre-bushed with an internal bush.

PACKAGE

- 1 x 13m pole
- 4 x Top 4 (6.10m)
- 1 x Kipping Kit 4 Sections
- 5 x Monobloc Tips
- 4 x Mini-Extensions
- Euro Series Holdall and Tubes

LENGTH	CLOSED LENGTH	NO. OF SECTIONS
13m	187cm	8



EURO COMPETITION 2000

P0240020 13m **£1,899.99***
P6180115 Top 3 Kit **£149.99*** / P6180085 Top 4 Kit **£269.99***

This pole is extremely versatile, ideal for lakes, canals or rivers, a true all-rounder! Every joint has been reinforced creating an extremely durable pole. Comes complete with a monobloc tip with an inner diameter of 3.5mm and pre-bushed with an internal bush.

PACKAGE

- 1 x 13m Pole
- 3 x Top 4 Kits (6.10m)
- 1 x Kipping Kit 3 Sections
- 4 x Monobloc Tips
- 4 x Mini-Extensions
- Euro Series Holdall and Tubes

LENGTH	CLOSED LENGTH	NO. OF SECTIONS
13m	185cm	8

★ ★ EUROPE ONLY ★ ★



EURO COMPETITION 1000

P0240010 13m **£1,199.99*** / P0240029 10m **£339.99***
 P6180114 13m Top 3 Kit **£134.99*** / P6180076 13m Top 4 Kit **£194.99***
 P4180041 Universal Top 3 Kuppung Kit **£144.99***

The first pole in the Competition range is the 1000, this pole is perfect for anglers starting competition fishing or for anglers who enjoy long pole fishing. Every female joint has been reinforced for durability and strength. The pole and top kits come with a monobloc tip with an inner diameter of 3.5mm and pre-bushed with an internal PTFE bush.

13M PACKAGE

- 1 x 13m Pole
- 3 x Top 4 (6.10m)
- 1 x Kuppung Kit 3 Sections
- 4 x Monobloc tip
- 4 x Mini-Extensions
- Euro Series Holdall and Tubes

10M PACKAGE

- 1 x 10m Pole
- Mini Extension
- Holdall

	LENGTH	CLOSED LENGTH	NO. OF SECTIONS
P0240010	13m	185cm	8
P0240029	10m	164cm	6



★ ★ EUROPE ONLY ★ ★



EURO CARP 400

P0240045 400 11.5m **£429.99*** / P0240046 400 10m **£339.99***

This pole is the strongest of the Euro Carp range, perfect for the angler who starting fishing carpodromes or specimen fishing, or for the owners of Euro poles looking for a second pole to fish the margins.

Equipped with a monobloc tip of 4.5mm internal and pre-bushed with a quality internal PTFE Bush as well as our C-Drome Roller Pulla Bush on the second section of the pole, it is ready to fish with!

	LENGTH	CLOSED LENGTH	TOP 3 LENGTH	NO. OF SECTIONS
P0240045	11.5m	170cm	455cm	7
P0240046	10m	163cm	455cm	6

11.5M PACKAGE

- 1 x 11.5m Mini Extension
- 1 x 5/6 Mini Extension
- 1 x 3/4 Mini Extension
- 1 x Rolla Pulla Power Top Two kit

10M PACKAGE

- 1 x 10m Mini Extension
- 1 x 3/4 Mini Extension
- 1 x Roller Pulla Power Top Two Kit





RESPONSE SYSTEM WHIP

P0240023 £309.99*

Can be used for a wide variety of angling styles, from short lining with elastic, through to fishing to hand for dace on rivers at its full 8m length with the flick tip fitted. The tip section can be cut back to accommodate elastics up to a number 10 if required. The whip is exceptionally light, weighing just 283g at full length making it easy to use all day, even in adverse weather conditions.

The Top 3 Kit is telescopic with the remainder being take apart, allowing you to fish at any distance required. Supplied with flick tip and one spare additional top 3 kit which has a hollow top section for elasticating.

	LENGTH	CLOSED LENGTH	TOP 3 LENGTH	WEIGHT	NO. OF SECTIONS
P0240023	8m	112cm	285cm	283g	8



RESPONSE WHIPS

A fantastic range of super responsive whips which are built on an incredibly slim mandrel making them absolutely perfect for fishing for large quantities of small fish. Each whip is finished off with striking graphics which makes them look incredible! The whole response range is supplied as standard with a flick tip and a base end screw cap making them ideal for any serious silverfish angler.

3M RESPONSE WHIP

P0240048 **£64.99***

Perfectly suited to fishing for smaller species at close range the 3m Response Whip is incredibly slim which makes it an absolute dream to use. The super slim mandrel also makes this whip ultra-lightweight, perfect for long sessions where large quantities of fish are the target.

4M RESPONSE WHIP

P0240049 **£79.99***

The all-rounder of the Response family is the 4m version which is ideal for a wide variety of scenarios, perfectly suited to fishing on still waters as well as targeting species such as bleak on a river. The 4m version also incorporates a super slim mandrel which again makes using this whip effortless.

5M RESPONSE WHIP

P0240050 **£94.99***

This whip is ideally suited for deeper venues where the extra length really comes into its own, while still remaining extremely well balanced and incredibly responsive the 5m Response Whip can also double up as the ideal product for those days when the fish are sat out slightly further from the bank.

	LENGTH	CLOSED LENGTH	WEIGHT	NO. OF SECTIONS
P0240048	3m	112cm	62g	4
P0240049	4m	112cm	115g	5
P0240050	5m	112cm	160g	6



Roller Pulla

The Roller Pulla system has become a firm favourite with a wide variety of different pole anglers over the years.

The unique design not only improves elastic performance it notably aids elastic longevity, resulting in a more reliable set up. The Roller Pulla Bush comes pre-fitted as standard throughout most of our pole ranges and spare top kits to make it easier and quicker for you to get on the bank and use our innovative system in your fishing.



KUPKIT

PRESTON INNOVATIONS

KUP KITS

- P4190009 Universal Spot on Kup Kit (22mm) **£34.99***
- KUPPT Pro Type (24mm) **£54.99***

Manufactured from high quality carbon to make them as stiff as possible when cupping in bait, especially at long range. Designed with a long reinforcement to the base of the largest section so it can be cut back as required.

P4190009 Not available in Europe

ROLLER



PULLAKIT

PRESTON INNOVATIONS



DWA ROLLER PULLA KITS

- RP/DWA DWA Black 2.4m (18mm) **£69.99***
- DWA/KIT1 DWA Black F1 Short Stop 1.85m (18mm) **£54.99***
- P4180043 DWA Grey 2.4m (18mm) **£69.99***
- P4180044 DWA Grey F1 Short Stop 1.85m (18mm) **£59.99***

Our DWA Roller Pulla Power Kits are designed to offer the perfect balance of power, stiffness and durability. Covering a wide range of fishing on commercials, rivers, canals or lakes targeting big, powerful fish. The grey Roller Pulla Kits have been specifically designed for commercial fisheries and avoids spooking fish when fishing 'up in the water' shallow, in shallow water down the margins, or up to islands. Lots of anglers are wary of using power kits for their fishing, thinking they considerably affect a poles stiffness and weight. Our kits have been constructed using the most up to date carbon construction and lightweight materials, resulting in the most versatile and balanced top kits possible.

POLE ACCESSORIES



POLE END PROTECTORS

- P0020059 38mm / P0020060 40mm
- P0020061 42.5mm / P0020062 45mm
- P0020063 48mm

Designed to protect pole end sections during transit. Available in a range of sizes to fit all larger pole sections, Pole End Protectors can also be left in place during fishing.



TOP TUBE

P0020001

Designed for storing elasticated top two sections safely. Top Tubes are convenient and make best use of space. The specially designed elastic protector and end cap ensure that elastics are not damaged.





Pole Rollers

Keeping your pole safe and secure during your session is a must, especially during adverse conditions. Our range of pole rollers have been developed to tackle all terrains and are packed full of features to ensure your costly investment is kept safe during use.

The Inception range of rollers cover the majority of pole fishing requirements, however, for those days where extra height is required our range of V rollers offer the perfect solution.



INCEPTION FLAT ROLLERS

P0250005 Flat Roller **£79.99*** H41-64 W53cm

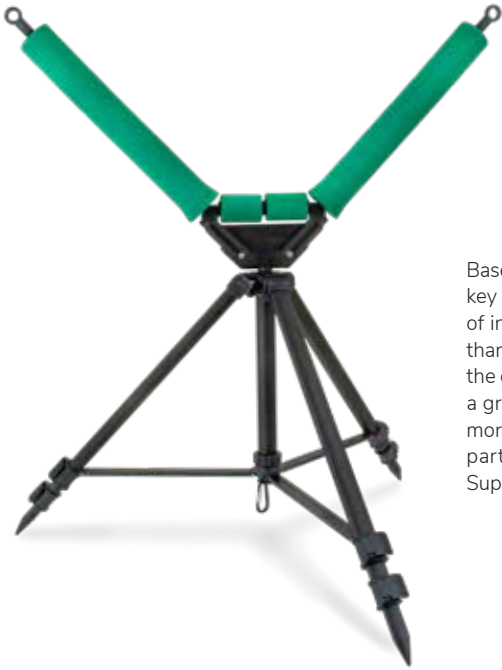
P0250006 XL Flat Roller **£94.99*** H51-81 W68cm

P0250007 Super XL Flat Roller **£104.99*** H51-81 W84cm

The Inception Pole Rollers build on the success of the Competition Pro Rollers with several key improvements. All three rollers provide the angler with ultimate stability and reliability and all feature telescopic extending legs meaning that the height of each leg can be individually adjusted according to the terrain. In addition, each roller can be 'laid flat' by folding up the legs, making it the perfect ultra low-level roller. The integrated spirit level ensures the roller can be set up level every time.

Every roller features brand new silent bearings meaning effortless shipping whatever length of pole you are using. The vertical rollers are fixed and angled to help keep the pole within the roller, even in the windiest conditions while the XL and Super XL versions include a middle roller to help when double shipping longer lengths of pole. Each roller comes complete in its own storage bag.





SUPER PRO V ROLLER

PVSROL £94.99*

Based on the popular Pro V Roller, there are several key differences on the Super version. An extra set of internal legs enable the roller to be set higher than before. To prevent overbalancing the base of the centre section has a clip suitable for attaching a groundbait bucket or carryall making the roller more stable. The centre roller is now made in two parts to make unshipping twice as easier. The Super Pro V Roller packs away in its own compact padded carry case.



PRO V ROLLER

P0250004 £74.99*

Based on an ultra lightweight tripod, this roller has been a huge success since its launch. Not only does it have the height adjustable features, it also has the added advantage of being able to alter the angle at which the legs are set, making any type of bankside terrain easy to cope with. The height adjustable centre pole also locks with its own hand wheel. Amazingly all of this folds down into a very compact shape and size which then fits neatly into its own padded carry case.



EVA ROLLERS

P0020044 Small £12.99*
P0020042 Large £13.99*

High quality pole roller that fits all standard banksticks and OffBox Cross Arms and Ripple Bars. With dual rollers and integral locking nuts for precision adjustment. Made from soft pole friendly EVA.



PRO TRIPOD

TPOD/01 £47.99*

Lightweight and very stable the Pro Tripod can take all screw fitting attachments like rod rest heads, pole rollers and pole roosts. Perfect for hard canal and man-made fishery banks.





Rods

Developing the finest ranges of rods is something we are extremely passionate about, we use the experience of our team of consultants to deliver the finest examples that money can buy. Whether it be dedicated distance casting rods or budget friendly commercial fishery rods, we have you covered.

Each range features stunning graphics, the finest fittings and of course the all-important sublime fish playing actions.

This year see's the introduction of a new range, Ascension. This range of rods are set to prove extremely popular thanks to their "traditional" actions. Lee Kerry was instrumental in designing this range, the two-time FeederMaster champion has certainly put this range through their paces during the development process!



- 40 // DISTANCE MASTER
- 42 // SUPERA SL
- 43 // SUPERA
- 46 // ASCENSION FEEDER
- 48 // MONSTER X
- 50 // IGNITION
- 52 // SUPER FEEDER
- 53 // FEEDER FEEDA

ROD ACCESSORIES



ROD BANDS

P0130075

Perfect for storing ready made rods. These neoprene straps simply wrap around each end of your rod and strap together with velcro straps. The larger band of the two has an external pocket which has been designed to store ready made feeders safely, without the risk of breaking rod tips/eyes.

100% Polyester



TIP & BUTT PROTECTORS

P0130010

The Tip & Butt Protector features two neoprene pockets which securely protect your butt and tip, as well as an elasticated strap and neoprene wrap which keeps your rod safe and compact during transit.

100% Polyester

MEASURING STICKS

P0030025 £24.99

Complete with a 5m (16ft) cord for setting out accurately, there are 2 colour coded toggle stops to enable you to mark different distances with the same set of sticks. To use, stick them in the ground at the set distance and wrap the required number of wraps around the sticks, if the distance you need to mark is less than a full wrap use the coloured markers to mark up to two ranges.





Distance Master

The Distance Master Rod range offers the perfect balance between casting and fish playing action. Designed in conjunction with Lee Kerry, Mick Vials and Arnout Van De Stadt, this range of rods has everything!

Featuring an elongated butt to allow you to fully compress the rod to achieve maximum distance, with an added bonus of an enlarged area at the base of the butt to really allow you to apply maximum compression when driving the rod through the cast. All the Distance Master rods feature our flat butt design which really allows you to lock the rod in place when playing hard fighting fish. Oversized guides also help with silky smooth passage of the mono or braid and aid in preventing any unwanted wrap overs. All rods in the range also feature 3 carbon tips (2, 3 and 4oz) these tips offer unrivalled bite detection when fishing at distance. All of the rods are a 3-piece design with a very stylish cork/EVA butt which offers extreme comfort. Overall there is a rod in the range to cover every aspect of distance casting whether it be fishing large natural still waters for bream or casting Method feeders for carp.





**DISTANCE MASTER
3.8M (12'6") 80G**

P0070020 **£279.99***

The first model in the range is a perfect all-round rod which will cover a large amount of all distance fishing, whether it be launching Method feeders or punching out cage feeders this rod will do it all. Suitable for casting up to 80m this rod has the perfect balance of both casting and fish playing action. The softer tip prevents hook pulls at the vital netting stage, but the powerful butt section allows you to achieve the distance required with ease. As with all the rods in this range the 12'6" Distance Master features a flat elongated handle to aid with casting and the playing of fish. It also incorporates oversized low friction distance casting guides, keeper ring and three carbon tips.

**DISTANCE MASTER
4.0M (13'2") 100G**

P0070021 **£299.99***

The 4.0m 100g model is the all-rounder of the Distance Master family, capable of casting distances of 100m this rod can be used for a variety of applications such as long-range bream fishing on large natural venues or carp fishing using large Method feeders on big open lakes. This rod incorporates a very powerful yet forgiving action creating the ultimate fish playing and casting combination.

**DISTANCE MASTER
4.2M (13'10") 120G**

P0070022 **£319.99***

The true beast of the bunch capable of casting well in excess of a 100m this rod is truly a specialist tool. It makes the perfect big open water carp rod where getting those few extra yards in the depths of winter is vital for those extra bites. As well as being the ideal choice in rough conditions or when you really need to hit the distance on those big natural waters when fishing for bream. The action of the rod truly needs to be seen to be believed although powerful it's also progressive which allows you to land everything you may hook.



DISTANCE MASTER FEEDER TIPS

P0070023 3.5mm 2oz Yellow / P0070024 3.5mm 3oz Orange / P0070025 3.5mm 4oz Red **£34.99***

	LENGTH	CASTING WEIGHT	TRANSPORT LENGTH	WEIGHT	HANDLE LENGTH	LINE RATING	SECTIONS	QUIVERTIPS
P0070020	12'6" / 3.80m	80g	134cm	241g	67cm	N/A	3+quivertip	2oz, 3oz, 4oz
P0070021	13'2" / 4.00m	100g	140cm	265g	67cm	N/A	3+quivertip	2oz, 3oz, 4oz
P0070022	13'10" / 4.20m	120g	147cm	311g	68cm	N/A	3+quivertip	2oz, 3oz, 4oz



Supera SL

The rods that helped England international Lee Kerry to win £22,000 in two weeks, the Supera SL range are already a huge success story. The SL range has been developed for those shorter casts where species such as bream and roach are the target. These rods feature a soft seamless through action which is of paramount importance when targeting these smaller species as it prevents those all-important hook pulls. These rods also double up as the perfect winter commercial fishery rod when species such as F1's and carp are the target on tactics such as maggot feeder and straight lead. As with all the Supera range the SL rods have all the key characteristics such as SEA guides, carbon tips, flat handle and hook keeper rings.



SUPERA SL 10FT

P0070026 **£174.99***

The Supera SL 10ft feeder rod is the perfect all-rounder, whether it be fishing for smaller species such as roach and skimmers or hard fighting fish such as F1's & small carp this rod will handle both with ease! The rod features a very soft forgiving action meaning hook pulls are reduced to a minimum. The 10ft Supera SL is suitable for casting weights up to 30g to a range of 25-30m meaning it covers a wide range of situations making it the perfect choice for the angler who does a multitude of different styles of fishing.

SUPERA SL 11FT

P0070012 **£179.99***

The Supera SL 11ft is the perfect rod when fishing for roach skimmers and larger bream at relatively close range. It's designed for casting feeders up to 30g distances of 35m and has a really forgiving action, allowing you to use light hooklengths and small hooks. The rod is supplied with three carbon quivertips; 0.5oz, 0.75oz and 1oz enabling you to see the smallest of bites on difficult days. The Supera SL 11ft can be used with braid or mono and is an essential item in any natural anglers armoury.



	LENGTH	CASTING WEIGHT	TRANSPORT LENGTH	WEIGHT	HANDLE LENGTH	LINE RATING	SECTIONS	QUIVERTIPS
P0070026	10' / 3.00m	30g	157cm	133g	52cm	N/A	2+quivertip	0.5oz, 0.75oz, 1oz
P0070012	11' / 3.35m	30g	172cm	142g	54cm	N/A	2+quivertip	0.5oz, 0.75oz, 1oz

Supera

We believe the Supera rod range is the ultimate all-round rod range. Designed to be used on all types of venues, ranging from natural venues through to commercials, the versatility of the Supera is mind blowing.

The high modulus CarbonActive blank on each model performs perfectly, providing a great fish playing action that absorbs sudden increases in pressure with ease, whilst retaining superb casting ability which enables you to cast with pinpoint accuracy.



FEATURES

- High modulus carbon construction
- Slim profile blanks with high gloss finish
- High quality guides
- Ergonomic Cork/EVA profiled handle
- Custom reel seat with screw down hood
- Feeder rods have three quivertips
- All models break down to equal lengths



SUPERA 13' FLOAT 3-10G

P0060001 **£189.99***

The 3-10g Supera Float is great for small sliders and traditional fixed wagglers and can be used for a variety of species. Also, an excellent stick float rod for rivers where the soft tip will ensure that you don't pull out of any small fish.

SUPERA 13' FLOAT 6-18G

P0060002 **£209.99***

A heavier 13ft rod designed for larger sliders and fixed wagglers. The extra power means that larger fish can be targeted with this rod, including carp, chub, barbel and bream, while the tip is still soft enough to use when fishing for mixed species.

SUPERA 14' FLOAT 4-12G

P0060003 **£209.99***

Suited to smaller sliders and big wagglers, this rod can cast long distances and will pick up line quickly, helping to hit shy bites at range. Super crisp and responsive it's perfect for mixed fishing. Excellent also on rivers where you can comfortably fish stick floats and wagglers for chub, roach and dace.

SUPERA 14' FLOAT 8-18G

P0060004 **£229.99***

Perhaps the ultimate distance slider rod. Can be used with large fixed wagglers and sliders up to 18g with confidence, a powerful rod that can be used for all species. Doubles up as an excellent chub and barbel river rod when using speci style wagglers.



	LENGTH	CASTING WEIGHT	TRANSPORT LENGTH	WEIGHT	HANDLE LENGTH	LINE RATING	SECTIONS
P0060001	13' / 4.00m	3-10g	134cm	168g	55cm	n/a	3
P0060002	13' / 4.00m	6-18g	134cm	174g	55cm	n/a	3
P0060003	14' / 4.25m	4-12g	145cm	183g	57cm	n/a	3
P0060004	14' / 4.25m	8-18g	145cm	189g	57cm	n/a	3

*RRP = *Adviesverkoopprijs *Unverbindliche Preisempfehlung *Prix de vente conseillé *Prix recommandé *Prezzo di vendita raccomandato *Doporučení maloobchodní cena *Ajánlott *Odporucana *Cena rekomendowana *Recommended retail price *Rekommenderat pris * Pret recomandat cu amanuntul



SUPERA 9' FEEDER

P0080001 **£189.99***

The 9ft Supera is perfect for fishing up to a distance of 25m and is especially suited to small commercial waters where accurate casting to the far bank is required. The soft forgiving action makes it perfect for F1's and carp, using both a small feeder or a bomb, and on natural waters and larger canals for short range feeder fishing for skimmers and bream.

SUPERA 10' FEEDER

P0080002 **£199.99***

The 10ft Supera offers a bit more versatility compared to the shorter 9' and is designed for fishing up to a distance of 40m. It has the power to cast small Method feeders and small and medium traditional feeders without sacrificing the soft forgiving action making it ideal for match carp fishing and also bream and skimmers on natural waters.

SUPERA 11' 6" FEEDER

P0080003 **£209.99***

The 11' 6" Supera is a true all-round feeder rod that has lots of uses on a wide range of venues. It's the perfect rod for long method feeder chucks and great for open water bream fishing. The soft tip action gives you the ability to land small fish, but the power in the bottom half of the rod gives you the power needed to cast long distances.



SUPERA FEEDER TIPS

P0070013 2.5mm 0.5oz Orange / P0070014 2.5mm 0.75oz Red / P0070006 2.5mm 1oz Yellow
 P0070005 2.5mm 1.5oz Orange / P0070004 2.5mm 2oz Red / P0070003 2.5mm 2.5oz Orange
£23.99*

The Supera Feeder Tips are a fast tapered tip and constructed from 100% high quality carbon fibre to create a much slimmer blank which significantly improves the rods fish playing ability and the overall through action of the rod.



SUPERA 12' 6" FEEDER 50G

P0080004 **£219.99***

The 12' 6" Supera 50g is a true distance feeder rod that has lots of uses on a wide range of venues. It's the perfect rod for long method feeder chucks and great for open water bream fishing. The soft tip action gives you the ability to land small fish, but the power in the bottom half of the rod gives you the power needed to cast long distances.

SUPERA 12' 6" FEEDER 80G

P0070002 **£229.99***

Clever reinforcements and material changes have created a rod that's capable of casting heavier weights up to 80g while still retaining a great fish playing action and blending seamlessly into the 2.5mm quivertips. This rod can be used for anything from skimmers to large carp, it really is that versatile.

SUPERA 11' PELLET WAGGLER

P0080005 **£199.99***

The 11" Supera Pellet Wagglers is a fantastic rod that's perfect for small F1's right through to double figure carp. The soft tip action makes the rod great for casting and playing fish, and the progressive power in the bottom half of the rod gives it the power needed to land large sized commercial carp. The 11' Pellet Wagglers can easily cast up to 10g wagglers and the short length is great for playing fish and regular casting that's associated with pellet waggler fishing.



	LENGTH	CASTING WEIGHT	TRANSPORT LENGTH	WEIGHT	HANDLE LENGTH	LINE RATING	SECTIONS	QUIVERTIPS
P0080001	9' / 2.75m	30g	142cm	146g	51cm	N/A	2	1oz, 1.5oz, 2oz
P0080002	10' / 3.00m	30g	156cm	159g	51cm	N/A	2	1oz, 1.5oz, 2oz
P0080003	11' 6" / 3.50m	40g	180cm	190g	59cm	N/A	2	1oz, 1.5oz, 2oz
P0080004	12' 6" / 3.80m	50g	133cm	212g	61cm	N/A	3	1oz, 1.5oz, 2oz
P0070002	12' 6" / 3.80m	80g	133cm	220g	61cm	N/A	3	1.5oz, 2oz, 2.5oz
P0080005	11' / 3.35m	2-10g	171cm	140g	49cm	N/A	2	N/A

*RRP = *Adviesverkoopprijs *Unverbindliche Preisempfehlung *Prix de vente conseillé *Prix recommandé *Prezzo di vendita raccomandato *Doporučení maloobchodní cena *Ajánlott *Odporucana *Cena rekomendowana *Recommended retail price *Rekomenderat pris * Pret recomandat cu amanuntul



Ascension Feeder

Ascension is a family of rods designed to excel at natural water fishing. Beautiful crisp actions that give you the correct casting action to suit each rod length whilst retaining stunning fish playing actions. Ascension continues Preston Innovations legendary reputation for producing rods!

International anglers Lee Kerry and Arnout Van De Stadt played a key role in developing the Ascension series. They demanded a rod range that would cope with fishing all venues in Europe and, with their help, Ascension has delivered. The 3.2m and 3.4m rods are beautiful rods for short range work. They feature soft actions perfect for targeting roach, skimmers, and bream at short to medium range. Looking for a top all-rounder? The 3.6m 60g Ascension is simply incredible. Featuring a dynamic action that allows a large range of feeders to be fished at 60metres whilst retaining a subtle touch for playing fish. If longer casts are required, then the 3.8m 80g and 4.0m 120g will deliver the performance needed. All Ascension rods are supplied with three carbon quivertips which perfectly blend into the Ascension range.





ASCENSION FEEDER 3.2M

P0070027 **£104.99***

Short-range work is vital for continued success when fishing the feeder and this rod is purpose designed to target roach and skimmers with small hooks and lighter lines.

The 3.2m is supplied with 0.5oz, 0.75oz & 1oz carbon quivertips.

ASCENSION FEEDER 3.4M

P0070028 **£109.99***

Ideal for medium range feeder work with feeders up to 40g. At 3.4m in length this provides the soft action needed to use small hooks and light lines but has enough power in reserve to ensure bigger fish can be dealt with.

The 3.4m is supplied with 0.75oz, 1oz & 1.5oz carbon quivertips.

ASCENSION FEEDER 3.6M

P0070029 **£119.99***

The ultimate all-rounder in the Ascension family. We wanted to design a feeder rod that could do it all and this model is just that. Perfect for skimmers and bream from 30m to 60m with a range of different feeder sizes.

The 3.6m is supplied with 1oz, 1.5oz & 2oz carbon quivertips.

ASCENSION FEEDER 3.8M

P0070030 **£129.99***

A power-packed rod capable of punching feeders a long way! Importantly this model has a dynamic action that gives it immense casting potential without compromising the fish-playing action.

The 3.8m is supplied with 2.5oz, 3oz & 4oz carbon quivertips.

ASCENSION FEEDER 4.0M

P0070031 **£139.99***

If long casts are your goal the immense power of the 4.0m Ascension will have you hitting your long-distance marks with ease! This rod is not only incredible for launching feeders to the horizon but it also great for big river fishing when you are faced with powerful flow.

The 4.0m is supplied with 3oz, 4oz & 5oz carbon quivertips.



ASCENSION FEEDER TIPS

P0070032 2.5mm 0.5oz Orange / P0070033 2.5mm 0.75oz Red / P0070034 2.5mm 1oz Yellow
 P0070035 2.5mm 1.5oz Orange / P0070036 2.5mm 2oz Red **£17.99*** P0070037 3.5mm 2.5oz Yellow / P0070038 3.5mm 3oz Orange / P0070039 3.5mm 4oz Red / P0070040 3.5mm 5oz Yellow **£19.99***

	LENGTH	CASTING WEIGHT	TRANSPORT LENGTH	WEIGHT	HANDLE LENGTH	LINE RATING	SECTIONS	QUIVERTIPS
P0070027	10'8" / 3.20m	30g	164cm	180g	42cm	N/A	2	0.5oz, 0.75oz, 1oz
P0070028	11'4" / 3.40m	40g	174cm	198g	45cm	N/A	2	0.75oz, 1oz, 1.5oz
P0070029	12' / 3.60m	60g	125cm	244g	48cm	N/A	3	1oz, 1.5oz, 2oz
P0070030	12'6" / 3.80m	80g	132cm	309g	51cm	N/A	3	2.5oz, 3oz, 4oz
P0070031	13'2" / 4.00m	120g	138cm	322g	55cm	N/A	3	3oz, 4oz, 5oz



Monster X

A brand-new updated version of the extremely popular Monster range of rods with key upgrades such as 2.5mm carbon tips, SEA guides, DPS reel seats and improved actions, these rods are set to be very popular. There is a rod in the range to cover every discipline you may face on a commercial fishery. Each rod within the range features a progressive through action making them ideal for hard fighting carp.





9FT CARP FEEDER

P0080017 **£94.99***

The Monster X 9ft Carp Feeder is the perfect rod for short cast of around 30m making it ideal for casting to the far bank of canal style venues. This rod features a seamless through action making it ideal for targeting hard fighting carp on tactics such as the method and pellet feeder.

10FT CARP FEEDER

P0080018 **£99.99***

The Monster X 10ft Carp Feeder is a very versatile rod perfect for those slightly longer casts to islands or open water up to around 30-35m. As with all the Monster X range this rod has an extremely forgiving through action but it also incorporates plenty of power in the bottom half of the rod to aid with casting and fish playing action.

11FT CARP FEEDER

P0080019 **£104.99***

This a fantastic rod for those situations when a slightly longer cast is needed of around 35-40m thanks to the added power in the bottom half of the rod. The Monster X 11ft is also an extremely versatile rod although it is predominantly designed for commercial carp fishing the action of this rod enables it to be used for fishing for smaller species of fish such as bream and roach.

11FT PELLET WAGGLER

P0080021 **£94.99***

This model has been specifically developed to meet the demands of pellet waggler fishing where shorter casts to features such as islands are a must. The short 11ft length enables ultimate control of the float during the cast as well as aiding the netting process. As with all the Monster X range this rod features a seamless through action which minimises fish loss and prevents hook pulls.

7FT WANDZEE

P0080016 **£89.99***

The Monster X 7' Wandzee has been developed for those small venues where extremely short casts are needed. This rod features a unique one-piece section that can be stored (once the tip is removed) in one piece making it extremely fast to set up. The one-piece design also offers a seamless through action making this rod suitable for catching all species of any size. This rod is perfect for casting up to 25m making it the ideal choice for casting over the pole line or to the far bank of a snake lake.

12FT METHOD FEEDER

P0080020 **£109.99***

The heaviest feeder rod in the Monster X range is the 12ft Method Feeder, this rod is perfect for when larger feeders and extra distance is needed. This rod has been developed to cast distances of around 60-70m where larger fish are the target, the added power throughout the blank allows this rod to cast larger feeders and also take control of large fish during the netting stage. This rod is also suitable to be used on rivers and large still waters for species such as bream, barbel and chub.



MONSTER X FEEDER TIPS

P0070015 2.5mm 0.75oz Red / P0070016 2.5mm 1oz Yellow / P0070017 2.5mm 1.5oz Orange
P0070018 2.5mm 2oz Red / P0070019 2.5mm 2.5oz Yellow **£18.99***

	LENGTH	CASTING WEIGHT	TRANSPORT LENGTH	WEIGHT	HANDLE LENGTH	LINE RATING	SECTIONS	QUIVERTIPS
P0080016	7' / 2.1m	30g	180cm	138g	50cm	4-8lb	1+quivertip	0.75oz, 1oz, 1.5oz
P0080017	9' / 2.7m	30g	139cm	166g	53cm	4-8lb	2+quivertip	0.75oz, 1oz, 1.5oz
P0080018	10' / 3.0m	40g	153cm	194g	53cm	4-8lb	2+quivertip	1oz, 1.5oz, 2oz
P0080019	11' / 3.35m	50g	168cm	212g	57cm	4-8lb	2+quivertip	1oz, 1.5oz, 2oz
P0080020	12' / 3.65m	60g	183cm	247g	60cm	4-8lb	2+quivertip	1.5oz, 2oz, 2.5oz
P0080021	11' / 3.35m	N/A	171cm	197g	53cm	3-6lb	2	-



Ignition

A comprehensive range of rods that are perfect for any commercial fishing as well as natural waters. Seamless actions and high quality components make them unbeatable value for money. There is a rod in the range for any situation, whether its underarming a Method feeder in the margin or long range casting on a big reservoir. Each feeder rod is supplied with two carbon tips, 1oz and 2oz.





12FT METHOD FEEDER

P0080027 **£69.99***

As the name suggests this is a superb Method feeder rod, capable of casting long distances. The progressive action is not only suitable for large carp but also for bream and smaller species.

10FT PELLET WAGGLER

P0080022 **£54.99***

Perfect for short casts to around 20-25m, really responsive and a great through action which is ideal for carp and F1's of any size.

11FT PELLET WAGGLER

P0080023 **£59.99***

Ideal length and action for all-round pellet waggler fishing to around 35-40m. Powerful action to subdue match sized carp with ease.

9FT CARP FEEDER

P0080024 **£54.99***

A great action for carp and F1 fishing, a forgiving blank that powers up into the butt section. Perfect for casting up to around 25m.

10FT CARP FEEDER

P0080025 **£59.99***

The perfect all-round commercial feeder rod. Suitable for casting Method feeders up to around 40m. The progressive action is perfect for taming match sized carp.

11FT CARP FEEDER

P0080026 **£64.99***

A great all-rounder which is just as suitable for skimmers and bream as it is for carp. With a lovely soft action and powerful butt, also making it suitable for large match sized carp. This rod is ideal when casting further, up to around 50m.



IGNITION TIPS

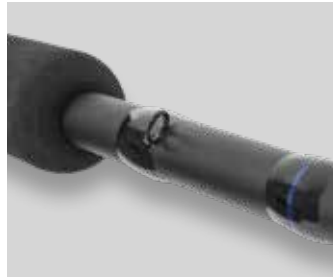
P0080028 2.5mm Quivertip 1oz Yellow / P0080029 2.5mm Quivertip 2oz Red **£11.99***

	LENGTH	CASTING WEIGHT	TRANSPORT LENGTH	WEIGHT	HANDLE LENGTH	LINE RATING	SECTIONS	QUIVERTIPS
P0080022	10' / 3.00m	4-10g	155cm	171g	54cm	3-8lb	2	-
P0080023	11' / 3.35m	4-10g	170cm	187g	54cm	3-8lb	2	-
P0080024	9' / 2.75m	30g	140cm	158g	52cm	4-10lb	2+quivertip	1oz, 2oz
P0080025	10' / 3.00m	40g	155cm	169g	54cm	4-10lb	2+quivertip	1oz, 2oz
P0080026	11' / 3.35m	50g	170cm	192g	57cm	4-10lb	2+quivertip	1oz, 2oz
P0080027	12' / 3.60m	60g	185cm	216g	60cm	4-10lb	2+quivertip	1oz, 2oz



Super Feeder

The Super Feeder range has been developed for the natural feeder angler that isn't looking to break the bank on a feeder rod. These three rods are absolutely perfect for anglers that target bream, skimmers and silverfish on natural style venues, such as lakes, rivers and canals. These three-piece rods offer a more 'tippy' rod action and have more power in the butt section, which is essential for casting the longer distances often required on natural venues.



FEATURES

- High modulus carbon construction
- Ergonomic cork/ EVA flat handle
- Matt finish
- Compact reel seat with screw down hood
- Durable keeper ring
- Supplied with 2 carbon quivertips
- All models break down to three piece equal lengths

SUPER FEEDER 3.30M

P0070007 **£64.99***

The shortest length rod in the range is the 3.30m, this is perfect for casts of up to 50m and is suited for smaller silverfish, however it will be up to the job of landing any bonus fish.

SUPER FEEDER 3.60M

P0070008 **£69.99***

The middle length rod in the range is the 3.60m, this is perfect for casts of up to 60m and will comfortably handle both silvers and any bonus fish you're likely to encounter.

SUPER FEEDER 3.90M

P0070009 **£74.99***

The longest and most powerful rod in the range is the 3.90m, this is perfect for casts of up to 80m and will handle both silvers and any bonus fish you're likely to encounter.



SUPER FEEDER TIPS

P0070010 1oz Yellow / P0070011 2oz Red **£11.99***

	LENGTH	CASTING WEIGHT	TRANSPORT LENGTH	WEIGHT	HANDLE LENGTH	LINE RATING	SECTIONS	QUIVERTIPS
P0070007	3.30m	50g	117cm	205g	57cm	3-8lb	3	1oz, 2oz
P0070008	3.60m	60g	127cm	225g	63cm	3-8lb	3	1oz, 2oz
P0070009	3.90m	70g	137cm	240g	64cm	3-8lb	3	1oz, 2oz



FEEDER FEEDA

P0070001 **£99.99***

Designed primarily for feeding your peg, this rod has a lot of backbone and is more than capable of casting a large baiting up feeder up to 80m+. Designed in conjunction with Preston Innovations England Feeder team members Mick Vials and Lee Kerry, this is the perfect rod for all your pre-baiting situations on both commercial and natural venues.

The built in quivertip allows you to cast shorter distances as well as the longer chucks, so no matter whether you're fishing 10m or 80m this rod can do exactly what you want it to do - feed your swim. The softer quivering cushions the feed as it lands and gives you that flexibility and finesse to cast shorter but still have the power reserve to accurately cast at those longer distances.

Featuring oversized eyes for improved casting and distance casting guides which also improves distance, accuracy and performance.



FEEDER FEEDA TIPS

P5180016 3oz Red / P5180017 4oz Yellow / P5180018 5oz Black **£13.99***

Supplied with 3 quiver-tips, the two lighter tips completely transform the rod, making it perfect for heavy duty river barbel fishing, or large stillwater distance fishing for bigger fish like carp and bream.

	LENGTH	CASTING WEIGHT	TRANSPORT LENGTH	WEIGHT	HANDLE LENGTH	LINE RATING	SECTIONS	QUIVERTIPS
P0070001	3.80m	100g	131cm	326g	61cm	N/A	3	3oz, 4oz, 5oz



Reels

Over the years we have invested heavily into the design of reels and we now believe we have the best reels money can buy! We now have a broad array of reels which cover a variety of applications and meet a broad spectrum of price points.

We have been working hard behind the scenes to develop a range of distance feeder reels that meet a specific price point yet incorporate features that are more commonly found on reels twice the price – meet the Intensity! This family of two reels offer unbelievable value for money with brand new features and insane winding power. Both sizes are capable of achieving huge distances yet provide silky smooth winding power!

The Intensity now completes our epic range of reels and we believe we have the best money can buy from each price point, whether that be the entry level Inertia range, mid-priced Magnitude and Extremity or the flagship Centris and Intensity.



- 56 // INTENSITY
- 58 // EXTREMITY
- 60 // CENTRIS NT
- 62 // MAGNITUDE
- 64 // INERTIA



Intensity

The Intensity Feeder reels have been designed with one thing in mind, casting a long way! These reels were developed along with Lee Kerry who has spent countless hours testing, tweaking and fine tuning to get them just right. We are now confident that these reels are the ultimate design for both regular feeder fishing and long-distance casting!

This family of reels are packed full of features such as Powerdrive, CNC aluminium spool, compact body design and the ever-reliable worm drive system. As a flagship feeder reel, we have now introduced SDS (Speed Drag System) this micro adjustable drag system allows you to quickly alter the drag tension, ideal when playing larger fish.



FEATURES

- Spare aluminium spool included
- Dual line clip
- Soft touch rubber grip single handle
- 3mm aluminium bail arm
- SDS speed drag system
- Powerdrive





620
P0010026 **£154.99***

720
P0010027 **£159.99***

		GEAR RATIO	WEIGHT	LINE PER TURN	LINE CAPACITY	SPARE SPOOL
P0010026	Intensity Feeder 620	4.6:1	418g	86cm	0.26mm/150m	P0010028 £24.99*
P0010027	Intensity Feeder 720	4.6:1	432g	96cm	0.28mm/150m	P0010029 £24.99*



SHALLOW SPOOL

Each model features a large shallow spool which allows the line to leave the spool effortlessly, as well as providing exceptional line lay. Both of the supplied spools also feature dual line clips, these make fishing multiple lines effortless.



SOLID SINGLE HANDLE

After countless hours of testing these reels, we decided that a solid single handle performed best with these reels. This solid aluminium handle allows you to crank large feeders back effortlessly, perfect when casting a long way.



DOUBLE LINE CLIP

The spools are manufactured from CNC machined aluminium and feature a dual line clip as standard, this makes fishing at multiple ranges effortless. A 3mm aluminium bail arm has also been specifically chosen as the thick robust design makes them extremely durable, while fishing and in storage.



Extremity

Distance feeder fishing has become an incredibly popular style of fishing with modern feeder anglers. Both natural and commercial fisheries often require anglers to fish at those extreme distances to compete. This is why we have developed the Extremity 520 and 620. Two reliable and durable reels that can handle the demands of long-distance feeder fishing.



FEATURES

- Aluminium machined spool
- Micro adjustable front drag
- Impact resistant gloss body
- Two high quality metal line clips
- Powerful and reliable worm shaft providing great winding power
- New folding CNC handle with soft touch rubber grip
- Extra wide spool
- Optimum line capacity spools
- Smooth reliable gearing
- Spare spool for increased versatility





520

P0010010 **£94.99***

The smaller of the two Extremity reels, capable of casts of up to 80m. Incorporating a single handle, during testing we found this the optimum handle choice that provides maximum torque and stability when winding in heavy weights.

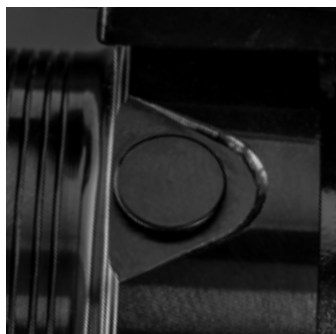


620

P0010011 **£99.99***

The ultimate casting machine, capable of casts of up to 100m. Incorporating a single handle, during testing we found this the optimum handle choice that provides maximum torque and stability when winding in heavy weights.

		GEAR RATIO	WEIGHT	LINE PER TURN	LINE CAPACITY	SPARE SPOOL
P0010010	Extremity Feeder 520	4.6:1	383g	84cm	0.26mm/150m	P0010012 £19.99*
P0010011	Extremity Feeder 620	4.6:1	411g	89cm	0.26mm/150m	P0010013 £19.99*



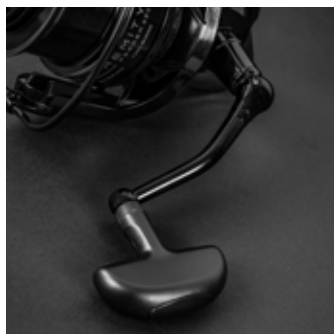
DUAL LINE CLIP

Two line clips are supplied on each Extremity Feeder spool as standard. Increasing both accuracy and efficiency when fishing multiple lines.



OVERSIZED SPOOL

Feature oversized spools which significantly aids extra distance onto your casts. The wider spool diameter decreases resistance when the line is peeling off your reel, thus gaining that extra distance.



CNC SINGLE FOLDING HANDLE

Each Extremity reel features a unique CNC folding handle for quick and easy assembly and an oversized ergonomic soft rubber handle grip for improved winding efficiency.



GEARING

We've utilised the reliable and high performing titanium worm shaft gearing on the Extremity Feeder reels, delivering superb winding power and enhanced longevity.



Centris NT

The Centris NT reels have been in development for over three years to create the ultimate reel for today's match anglers. The finest grade materials have been used in the construction of the reels to aid longevity including a Titanium Carbon rotor, Titanium shaft and full aluminium body.

Designed around a compact body with PowerDrive, a super slow oscillation worm shaft which delivers superb winding power for the size of the reel.

The gear ratio has been set at 5.0:1 to again enhance the winding power, making the Centris NT reels suitable for all types of fishing through to rigorous feeder fishing styles.



FEATURES

- CNC machined aluminium die-cast body
- Titanium carbon rotor and arm lever
- NiTi bail wire
- 7 ball bearings
- Aluminium fully machined spool
- Quick release push button spool
- Rotor brake system
- Long worm shaft oscillation
- Super slow oscillation
- Supplied with single and double handle
- Supplied with a spare spool



**320**P0010001 **£159.99***

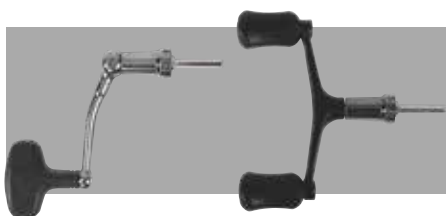
The smallest model in the Centris NT range is the perfect reel size for short range waggler and feeder fishing. The compact and lightweight aluminium frame offers the perfect balance with short rods.

420P0010002 **£164.99***

The 420 Centris NT is a true all-rounder, covering a wide variety of fishing situations. It's the optimum reel size for the majority of commercial and natural venues requirements, on both the waggler or feeder.

520P0010003 **£169.99***

The largest reel in Centris NT range has been constructed and developed around long distance fishing. The increased line retrieve and oversized spool increases both casting and winding performance.

**SUPPLIED WITH TWO HANDLE OPTIONS**

Centris reels are provided with two handles to suit your preference. The single handle creates more winding power, whilst the double handle delivers more retrieve balance at speed.

		GEAR RATIO	WEIGHT	LINE PER TURN	LINE CAPACITY	SPARE SPOOL
P0010001	Centris NT 320	5.0:1	312g	75cm	0.23mm/150m	P0010004 £29.99*
P0010002	Centris NT 420	5.0:1	324g	85cm	0.26mm/150m	P0010005 £29.99*
P0010003	Centris NT 520	5.0:1	336g	95cm	0.28mm/150m	P0010006 £29.99*

**GEARING**

PowerDrive titanium super-slow oscillation worm shaft gearing delivers superb power.

**NITI BAIL ARM**

Patented titanium alloy bail arm wire flexes and returns to original shape after bending.

**PUSH BUTTON SPOOL**

Push button quick release forged aluminium spool with integrated multi-disc drag.

**DOUBLE LINE CLIP**

Two line clips are supplied on each spool as standard, increasing accuracy when fishing two lines.



Magnitude

Based around the same principles that have made the Centris range so popular, the Magnitude range of reels are set to become a firm favorite among many anglers. The Magnitude reel range all incorporate the super reliable PowerDrive system which allows it to maintain a compact body with incredible winding power. Not only does this range of reels perform well they also look the part thanks to the black aluminum spool and body. A truly brilliant range of reels for a super competitive price.



FEATURES

- Spare aluminium spool included
- Dual line clip
- Super slow oscillation
- CNC machined aluminium die-cast body and side cover
- Al forged fully machined spool
- Rotor brake system
- Soft touch rubber grip single handle
- 3mm aluminium bail arm
- Anti-reverse system



**320**P0010020 **£114.99***

The smallest model within the Magnitude range is the ideal choice for fishing with wagglers and short-range feeder fishing. The compact lightweight aluminium body offers the perfect balance with short feeder rods and longer float rods.

**420**P0010021 **£119.99***

The Magnitude 420 is a fantastic all-round reel, ideal for both short to medium range feeder fishing and all aspects of float fishing. The 420 is the optimum size for the majority of commercial and natural venue requirements.

**520**P0010022 **£124.99***

The largest model in the range is the perfect long-distance feeder fishing reel. The increased line retrieve and oversized spool allow this reel to have increased winding power, ideal when retrieving large feeders from a long distance.

		GEAR RATIO	WEIGHT	LINE PER TURN	LINE CAPACITY	SPARE SPOOL
P0010020	Magnitude 320	5.0:1	301g	75cm	0.23mm/150m	P0010023 £24.99*
P0010021	Magnitude 420	5.0:1	311g	85cm	0.26mm/150m	P0010024 £24.99*
P0010022	Magnitude 520	5.0:1	323g	95cm	0.28mm/150m	P0010025 £24.99*

**GEARING**

The 5.0:1 gear ratio is the perfect compromise between power and a fast retrieve making the reel perfect for high catch rate venues.

**BAIL ARM**

The Magnitude range features a 3mm aluminium bail arm making them extremely robust and durable, while fishing and in storage.

**ALUMINIUM SPOOL**

The Magnitude spools are manufactured from CNC machined aluminium and feature a dual line clip as standard, this makes fishing at multiple ranges effortless.



Inertia

The Inertia reels have been designed to give anglers with limited budgets a top-quality reel option, that doesn't impede on their performance and efficiency. These are perfect for every angler that goes fishing, whether you're a club/match angler or a pleasure angler, these reels offer incredible value for money. The Inertia range is made up of three reel sizes; 320, 420 and 520. These sizes cover the majority of fishing situations on every venue you're likely to fish and method you employ.



FEATURES

- Impact resistant graphite body
- Aluminium machined spool
- Micro adjustable front drag
- Smooth reliable gearing
- High quality metal line clip
- Single handle
- Optimum line capacity spools
- Lightweight compact body





320

P0010014 **£49.99***

This is the perfect reel for smaller casts of up to 40m. Ideal for light waggler work and snake lake fishing.

420

P0010015 **£54.99***

A true all-rounder and will cope with a wide variety of fishing situations, from commercial feeder fishing to natural waggler work.

520

P0010016 **£59.99***

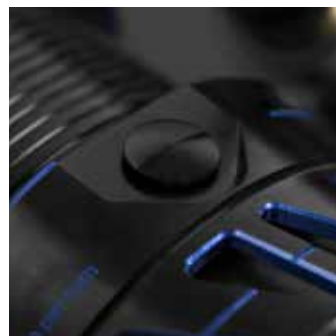
The perfect reel for longer casts of up to 60-80m. Ideal for long distance feeder fishing on both natural and commercial venues.

		GEAR RATIO	WEIGHT	LINE PER TURN	LINE CAPACITY	SPARE SPOOL
P0010014	<i>Inertia 320</i>	5.0:1	291g	75cm	0.26mm/150m	P0010017 £17.99*
P0010015	<i>Inertia 420</i>	5.0:1	368g	85cm	0.26mm/150m	P0010018 £17.99*
P0010016	<i>Inertia 520</i>	5.0:1	375g	95cm	0.26mm/150m	P0010019 £17.99*



SMOOTH RELIABLE GEARING

Each Inertia reel has been constructed using a smooth aluminium gearing that provides superior power and balance to your fishing, improving both winding power and durability.



HIGH QUALITY METAL LINE CLIP

The Inertia reels feature a sturdy and smooth clip that reduces any potential line damage and won't let you down.



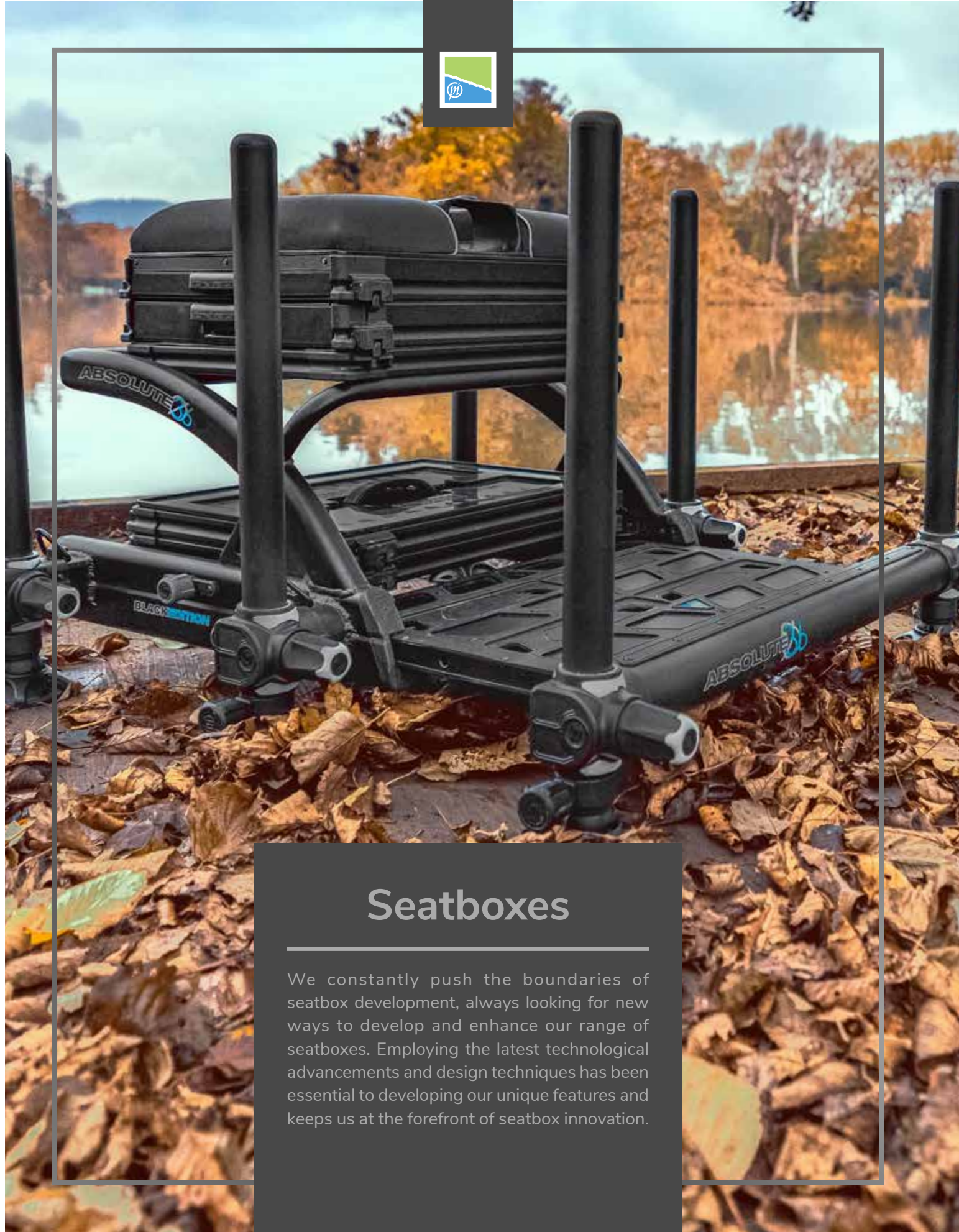
MICRO ADJUSTABLE FRONT DRAG

The Inertia reels feature a micro-adjustable front drag that's super smooth and can be tailored to your exact requirements quickly and easily.



COMPACT BODY

Featuring a compact and lightweight graphite body that delivers supreme balance to rods. The impact resistant body is mega durable and can withstand the wear and tear that modern day fishing demands.



Seatboxes

We constantly push the boundaries of seatbox development, always looking for new ways to develop and enhance our range of seatboxes. Employing the latest technological advancements and design techniques has been essential to developing our unique features and keeps us at the forefront of seatbox innovation.



68 // ABSOLUTE

78 // INCEPTION

88 // TRANSPORTATION

ABSOLUTE®

Packed with features

The Absolute range has many design features that make using the seatbox effortless. The footplate is secured in place by spring loaded quick release pins. These can be precisely locked in the open or closed position, ensuring that your set up is ultra-stable at all times. The footplate is also easily removable should your peg negate the need for a footplate.

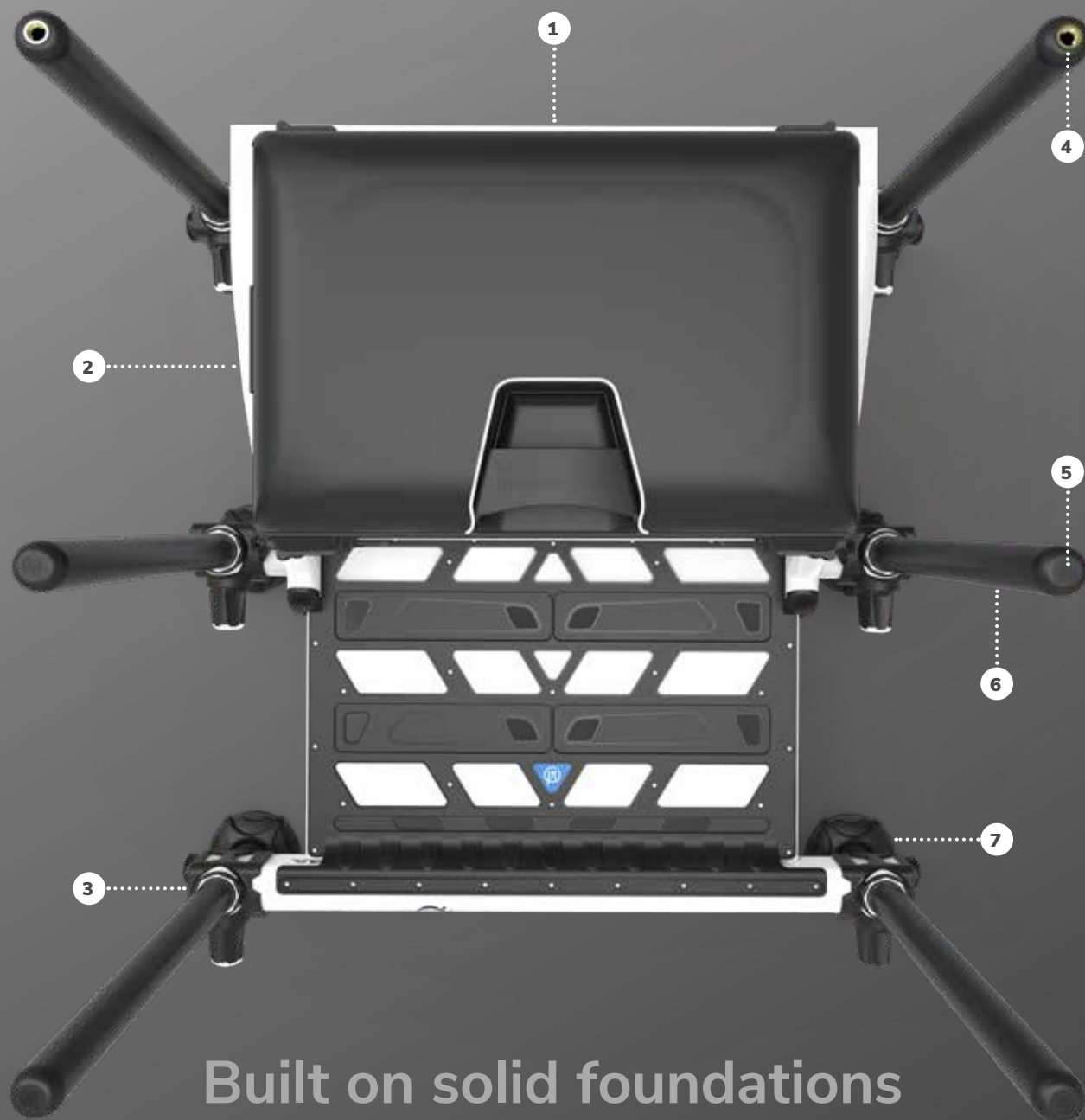
The Winder Tray Cassette uses the same quick release locking pins which makes it easy to remove at any time, this is made even easier by the Patent Pending 'Easy Access System' which allows the cassette to slide out of the front and rear of the box.

All of the supplied units feature our 'Mag Lok' locking clips. These revolutionary locking clips feature a positive magnetic catch which opens and closes securely without the associated risk of wear and tear commonly found on current plastic catches.

The spirit level is located centrally on the rear of the frame and is in the perfect place to ensure your setup is level at all times. The Deluxe Padded Seat includes an integrated shallow side drawer which is perfect for storing winders, general accessories or hooklength boxes.



MAG LOK USES HIGH STRENGTH NEODYMIUM MAGNETS TO LOCK AND UNLOCK THE SEATBOX CLIPS MAKING THEM INCREDIBLY STRONG, YET SIMPLE TO USE. COLOURED TABS CAN BE USED TO COLOUR CODE THE UNITS.



Built on solid foundations

- 1** Patent Pending 'Easy Access System' allows the cassette to easily slide out of the front and rear of the seatbox
- 2** Deluxe Padded Seat Unit with integrated Shallow Side Drawer makes efficient use of traditionally wasted space
- 3** All leg blocks feature a TPE non-marking system which ensures that the outer legs can be locked safely and securely in any given position
- 4** Two threaded end caps allow easy addition of essential OffBox 36 accessories. All six legs are interchangeable to suit your preferred setup
- 5** 36mm diameter aluminium outer leg profile with durable matte black powder coated finish provides a contemporary look with increased durability
- 6** 32mm diameter aluminium inner leg profile adds to the stability and solidity of the seatbox
- 7** Ultra low-profile mudfeet with built in drainage system ensures maximum strength and stability on even the toughest of terrains



ABSOLUTE 36

ABSOLUTE 36

P0120002 White **£799.99*** / P0120003 Black **£799.99***

Based around a 36mm leg system which offers unrivalled stability while also looking the part. The 36mm legs include low profile mud feet which means that you can get the box extremely low to the ground while the new design also saves weight over previous models.

The footplate is secured in place by spring loaded quick release pins, these can be precisely locked in the open or closed position, ensuring that your set up is ultra-stable at all times.

The winder tray cassette uses the same quick release locking pins which makes it quick and simple to remove at any time during your session, this is further enhanced by the unique design of the frame which allows the cassette access to slide out of both the front and rear of the seatbox frame.

PACKAGE

- 26mm Tray (attached to frame)
- 40mm Compartmented Side Drawer Unit
- Deluxe Padded Seat with Integrated Side Drawer
- 26mm Shallow Tray
- Cassette Lid
- Seatbox Cover
- Deluxe Padded Shoulder Strap
- Shuttle Adaptor





WHITE EDITION



BLACK EDITION



FRAME, FOOTPLATE & 6 LEGS

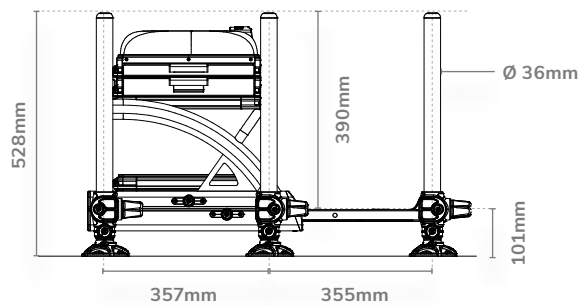
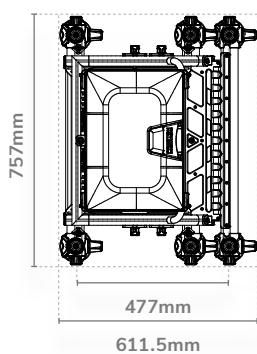
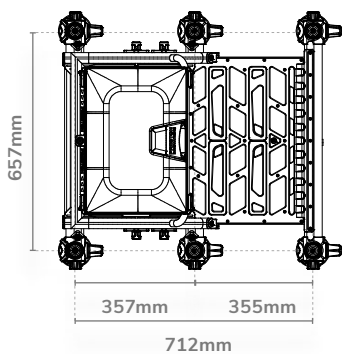
11.25kg

MINIMUM FISHING REQUIREMENT
(Shallow Tray Unit & Deluxe Padded Seat)

15.35kg

TOTAL WEIGHT

18.70kg



ABSOLUTE 



DELUXE PADDED SEAT WITH SHALLOW SIDE DRAWER

P0890013 **£124.99***

Featuring an integrated shallow drawer unit and carbon friendly pole retaining strap, a great combination of comfort and efficiency.

Compatible with all Absolute seatboxes



SEATBOX LID UNIT

P0890001 **£54.99***

ABSOLUTE



ABSOLUTE SEATBOX COVER

ABST/20 **£19.99***

A water-resistant cover for Absolute seatboxes.

ABSOLUTE 

DEEP SIDE DRAWER UNIT

 P0890010 **£84.99***

DEEP FRONT DRAWER UNIT

 P0890011 **£84.99***

SHALLOW SIDE DRAWER UNIT

 P0890009 **£74.99***

DEEP SIDE WINDER DRAWER UNIT

 P0890008 **£84.99***

26MM SHALLOW TRAY UNIT

 P0890007 **£54.99***

40MM DEEP TRAY UNIT

 P0890012 **£59.99***

100MM UNIT

 P0890006 **£89.99***

SHALLOW TRAY - 18CM WINDERS

 P0890003 **£74.99***
Supplied with 18cm winders



ABSOLUTE 36 LEGS

ABST/51 47cm **£17.99*** / ABST/52 75cm **£19.99***

Spare telescopic Absolute 36 Aluminum Legs, featuring multi grip telescopic handwheels and a strong 36mm outer case with a 32mm inner telescopic leg.



ABSOLUTE STATION LEGS

ABST/14 35cm Short **£15.99*** / P0890029 75cm Long **£22.99***
 ABST/24 45cm Standard (ABST/17 /25 /26 /27) **£16.99***

A range of telescopic spare seatbox legs ideal for customising your box.

Legs are supplied universal which can easily be changed by removing the foot and refitting the opposite way around



THREADED END CAPS

ABST/53

Two spare Threaded Leg End Caps give you the ability to utilise accessories on your box leg. The Threaded End Caps feature a full brass thread which can be used with a wide range of accessories.



THREADED END CAPS

ABST/32

Absolute Threaded End Cap designed to fit 30mm Absolute legs, is ideal for attaching pole socks, butt rests and other OffBox accessories to your existing Absolute legs.

ABSOLUTE PLATFORM



ABSOLUTE PLATFORM

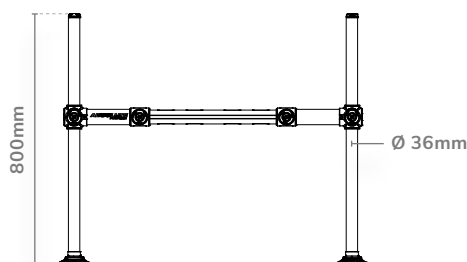
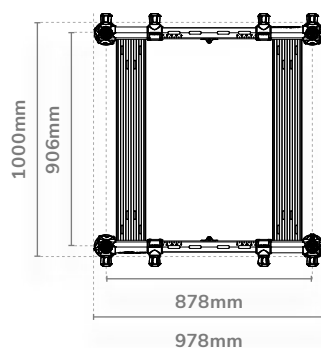
P1150002 **£249.99***

The Absolute Platform is full of features making it the most user friendly and stable platform on the market. The design allows you to alter the width, meaning that its suitable for any seatbox on the market while the platform can be built or packed away in seconds and stored in the supplied deluxe storage bag. Dual spirit levels help to get the platform level while the supplied 'leg locks' mean that no matter what size your seatbox is, it will always be 100% secure.

- 2 x Innovative 'leg locks' supplied
- 4 x 36mm diameter, 80cm length legs supplied
- All legs have threaded end caps
- Holes allow water to enter and exit all parts of the platform preventing floating and encouraging drainage
- Dual spirit levels
- Adjustable width to fit any seatbox including handy number markers
- Oversized handwheels for maximum grip
- Supplied in a deluxe padded bag with shoulder strap



COMPLETE WEIGHT 8.16kg (without bag)





ABSOLUTE 36 FEEDER CHAIR

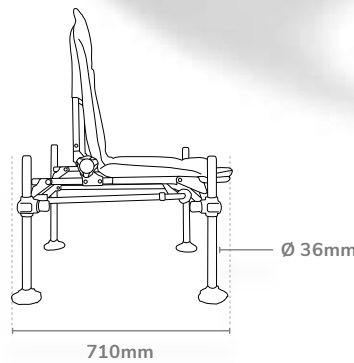
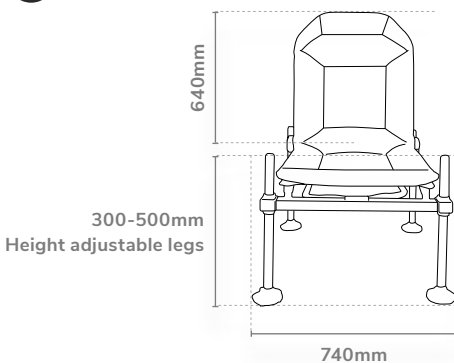
P0120021 £229.99*

The Absolute 36 Feeder Chair is super stable and supplied with four 36mm legs as well as two additional 36mm banksticks to enable you to attach any OffBox accessory including double knuckle side trays. As the name suggests it is ideal for feeder anglers where stability is key when attaching items like long rod rests.

Incorporating an extremely comfortable mattress, the Absolute 36 Feeder Chair is perfect for long sessions while it can be easily packed away with the folding back rest and removable legs which can be stored at the rear of the chair using the straps provided. A shoulder strap is included for ease of transportation.



KG COMPLETE WEIGHT 8.7kg





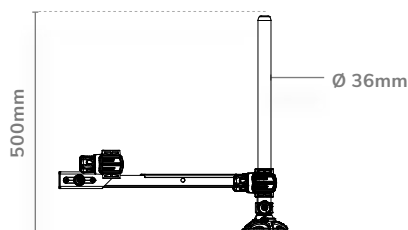
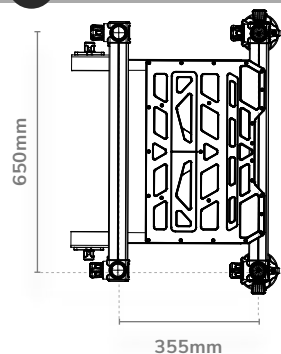
ABSOLUTE 36 FEEDER CHAIR FOOT PLATFORM

P0120020 **£109.99***

Supplied with two 36mm legs, the Absolute Feeder Chair Foot Platform is the perfect addition to the Absolute 36 Feeder Chair, especially when fishing on uneven ground or into shallow water. Its super stable construction makes it also perfect for attaching additional OffBox accessories such as rod rests and keepnet arms. The foot platform can be securely locked in place or removed easily by using the locking pins on the cassette bar.



COMPLETE WEIGHT 3.8kg



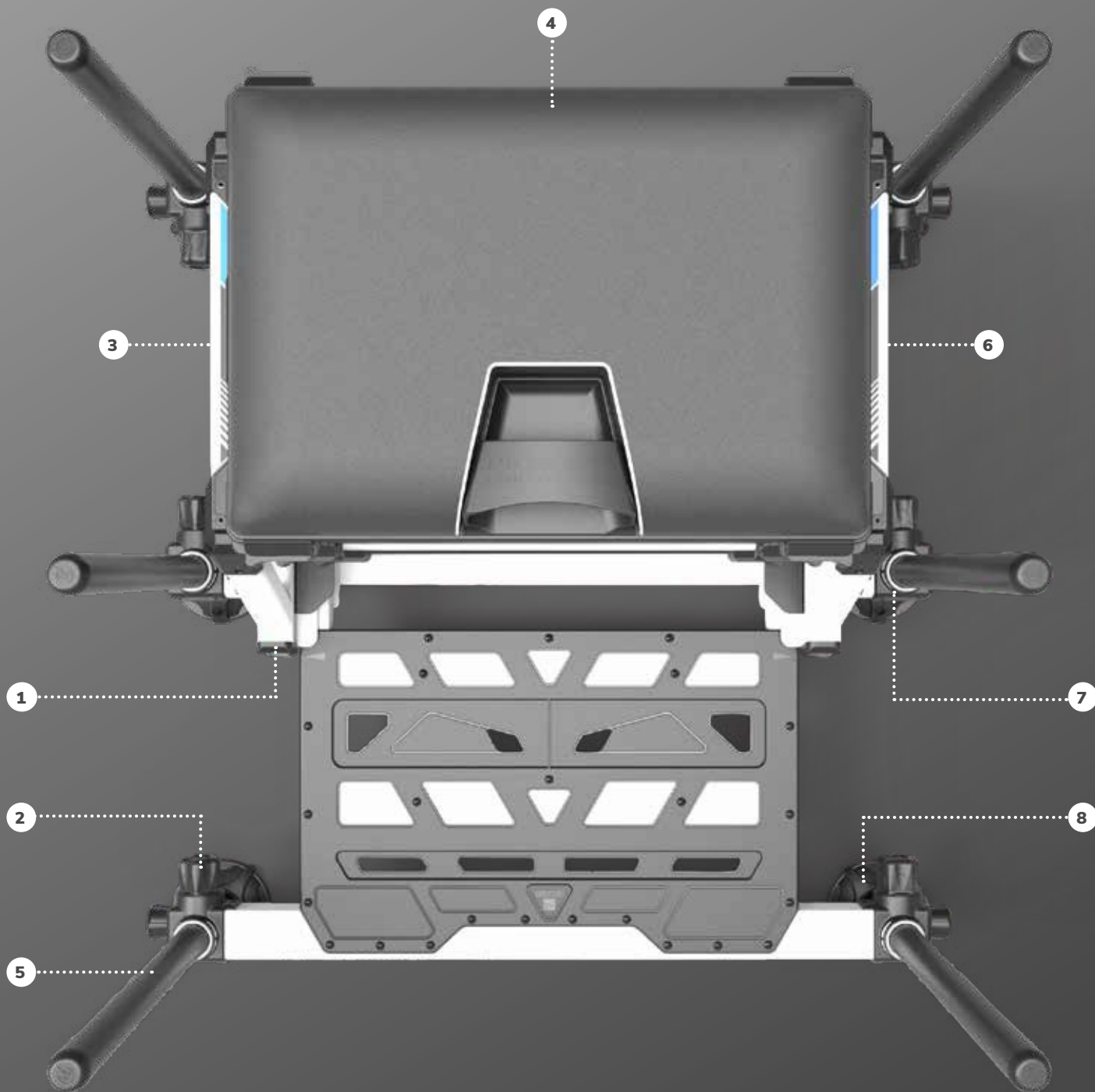
INCEPTION®

Intelligence

The Inception range of seatboxes have set a new standard in both price and performance since their introduction. However, we are market leaders in seatbox design and like to push the boundaries!

The new Inception Station is the fruits of our labour, this cost-effective station style box offers unrivalled value for money and incorporates a number of key features which would be more commonly found on products twice the value! The new Inception Station is the flagship model within the range and sits above the popular, 3D 150, 360 and Inception Seatbox.





- 1** Innovative Mag Lok clips which not only make it quick and easy to use the units and trays but offers unrivalled reliability.
- 2** Improved soft touch hand wheels offer a greater grip, ideal for fastening your legs securely.
- 3** Brand new locking plungers for the footplate which offer a secure fit.
- 4** Ultra-comfortable padded seat with integrated pole strap.
- 5** 30mm legs for extra stability.
- 6** Unique lightweight Inception trays add impressive stability and strength, with minimal weight.
- 7** All leg blocks feature a TPE non-marking system which ensures that the outer legs can be locked safely and securely in any position.
- 8** Optimum ultra-low-profile mud feet with a built-in drainage system ensures maximum strength and stability on the most extreme terrains.



INCEPTION®

INCEPTION STATIONS

P0120017 Graphite **£499.99*** / P0120018 White **£499.99***

The new Inception Station seatbox builds on the success of the other Inception seatboxes and boasts many of the same features such as Mag-Lok clips, footplate locking plungers and soft touch handwheels.

Built on a super strong and sleek looking frame that's available in either white or graphite, the Inception station has an abundance of storage space. The deep compartmented side drawer unit is perfect for accessories, while the deep side drawer with removable dividers can be used for hooklength boxes, pole winders or any larger accessories. There is an empty shallow tray situated between the drawers and the pole seat, which is again perfect for storing pole rigs.

The cassette under the frame includes a 26mm tray and lid where extra units can be added if required. The box comes supplied with six telescopic legs, making fine adjustments on the bank effortless.

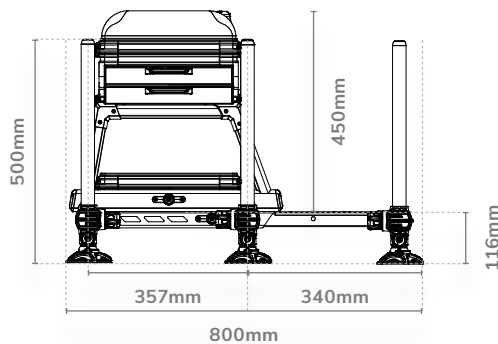
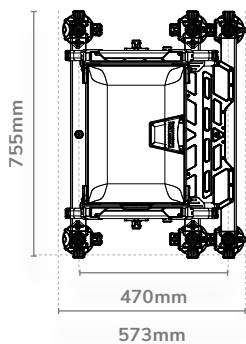
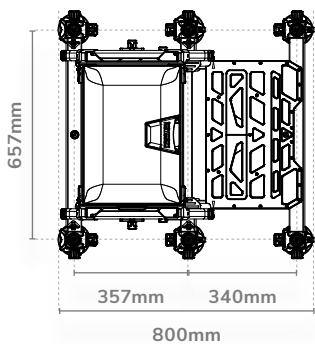
PACKAGE

- Padded Seat
- Mag-Lok 2 Drawer Unit
- 26mm Shallow Tray on runners
- Lid unit
- 6 x 30mm Telescopic Legs 50cm
- Footplate with locking pins
- Deluxe Padded Shoulder Strap





COMPLETE WEIGHT 16.22kg



INCEPTION® 3D 150



INCEPTION 3D 150

P0120013 £449.99*

We have developed the Inception 3D 150 seatbox to meet the demands of anglers who want to carry larger items and in an organised manner. This seatbox incorporates a 150mm base unit which is perfect for storing larger items such as reels, it also features a unique one-piece block unit which houses two deep front drawers, one deep side drawer and a shallow tray, perfect for pole winders or hooklength boxes. Each drawer comes supplied with fitted partitions meaning all items of terminal tackle can be stored in an organized manner.

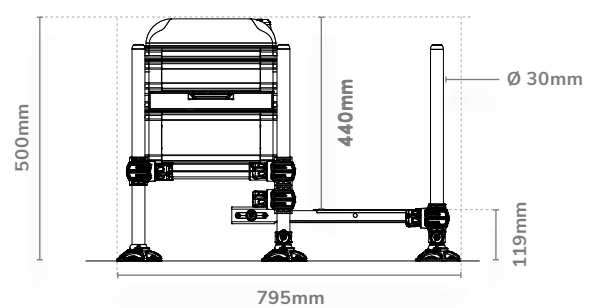
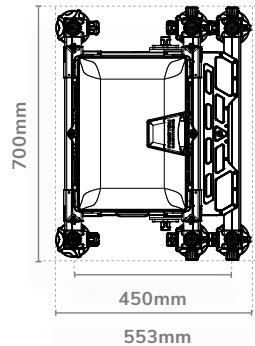
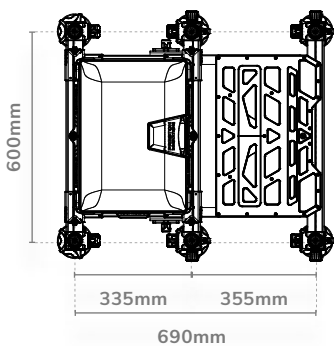
As with all of our seatbox range the Inception 3D 150 features our unique Mag-Lok clips which ensure the units are locked securely together during transit yet can be opened within an instant. The footplate now also features two locking plungers either side which enables the footplate to be set up within seconds and in the correct position every time.

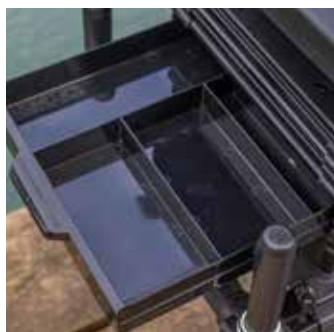


PACKAGE

- Padded Seat
- 3 Drawer Unit
- 150mm Base Unit
- 2 x 30mm Standard Legs 50cm
- 4 x 30mm Telescopic Legs 50cm
- Cassette Bar and Footplate
- Deluxe Padded Shoulder Strap

KG COMPLETE WEIGHT 14.25kg





INCEPTION 360

P0120009 **£469.99***

Building on the success of the Inception SL30 seatbox, the Inception 360 comes complete with the same 100mm deep base unit and deep compartmented side draw unit but has a 360-degree rotating seat on top which provides the user with comfort and is perfect when fishing in the margins.

Each unit comes complete with the revolutionary Mag-Lok clips, these ensure that the units are held securely together but can be opened in a second, giving access to the base compartment. The footplate is secured with two plungers, one on each side. It can be locked securely for storage and when in use meaning the footplate is in the perfect position each time.

The 360 seat unit is also available separately and can be used on any Inception or Absolute seatbox.

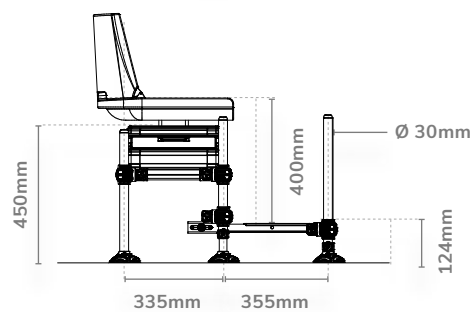
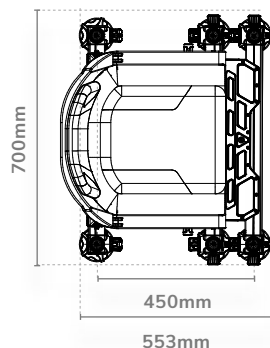
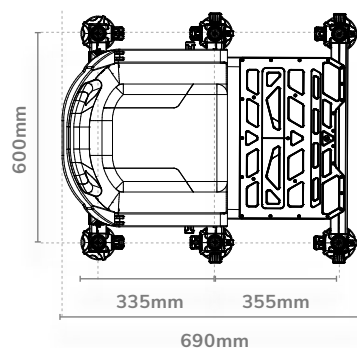


PACKAGE

- 360 Seat Unit
- Deep Side Drawer Unit
- 100mm Container Base Unit
- 2 x 30mm Telescopic Seatbox Legs 45cm
- 2 x 30mm Telescopic Seatbox Legs 50cm
- 2 x 30mm Standard Seatbox Legs 45cm
- Cassette bar and footplate
- Deluxe Padded Shoulder Strap



COMPLETE WEIGHT 14.5kg



INCEPTION®

INCEPTION

P0120010 £399.99*

The Inception seatbox is an improved version of the extremely popular Inception SL30 model. This Inception incorporates a number of key improvements which make it extremely user-friendly and easy to set up when on the bank.

One of the key improvements are the handwheels with enhanced grip areas which allow you to securely grip the handwheel even in the coldest of conditions. There are also two locking plungers for the footplate, this speeds up assembly and also ensures the footplate is at the correct position each time. It also has an improved padded seat which offers extreme comfort and is also incredibly hard wearing.

This seatbox also incorporates the revolutionary Mag-Lok clips which offer a secure fit but also easy access to any compartment. The Inception seatbox is also supplied with a 100mm base unit and one deep side drawer as standard, making it the ideal choice for someone looking for a lightweight and compact box.

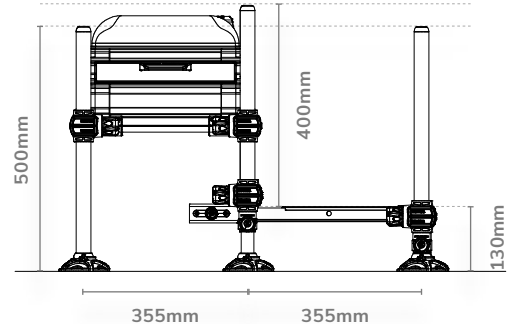
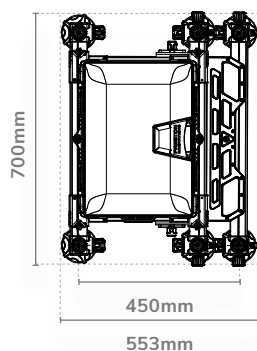
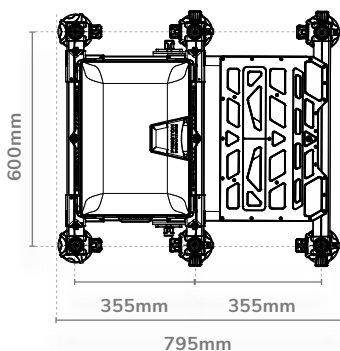


PACKAGE

- Padded Seat
- Deep Side Drawer Unit
- 100mm Base Unit
- 2 x 30mm Standard Legs 50cm
- 4 x 30mm Telescopic Legs 50cm
- Cassette Bar and footplate
- Deluxe Padded Shoulder Strap



COMPLETE WEIGHT 11.25kg





INCEPTION FEEDER CHAIR

P0120005 **£189.99***

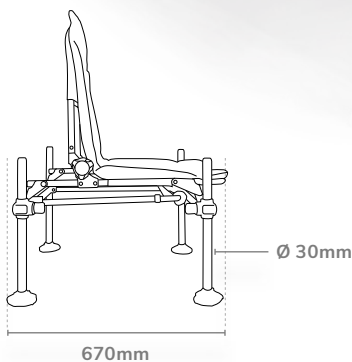
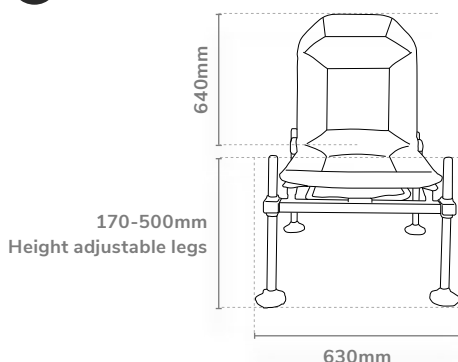
The Inception Feeder Chair is constructed using 30mm round legs, making it super stable and compatible with all OffBox products enabling you to customise your fishing station, ideal for feeder fishing.

Incorporating a comfortable padded mattress, folding backrest and legs, the Inception Feeder Chair is extremely compact for transportation and weighs in at just 7.2kg making it easy to carry to your peg with the supplied shoulder strap.

A separate footplate is available making the chair even more versatile where you can add attachments such as tool bars, keepnets arms and feeder arms.



COMPLETE WEIGHT 7.2kg



*RRP = *Adviesverkoopprijs *Unverbindliche Preisempfehlung *Prix de vente conseillé *Prix recommandé *Prezzo di vendita raccomandato *Doporučení maloobchodní cena *Ajánlott *Odporucana *Cena rekomendowana *Recommended retail price *Rekomenderat pris * Pret recomandat cu amanuntul

INCEPTION® (360)

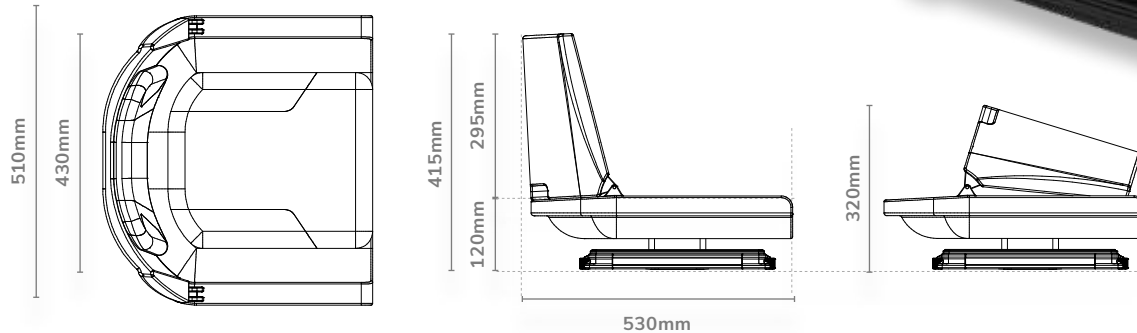
INCEPTION 360 SEAT UNIT

P0890042 **£169.99***

Can be used on any Inception or Absolute seatbox, simply use the Mag-Lok clips to replace the previous seat. It swivels 360 degrees making fishing in the margins effortless and extremely comfortable. The rear of the seat folds down for transportation.



KG COMPLETE WEIGHT 5.8kg



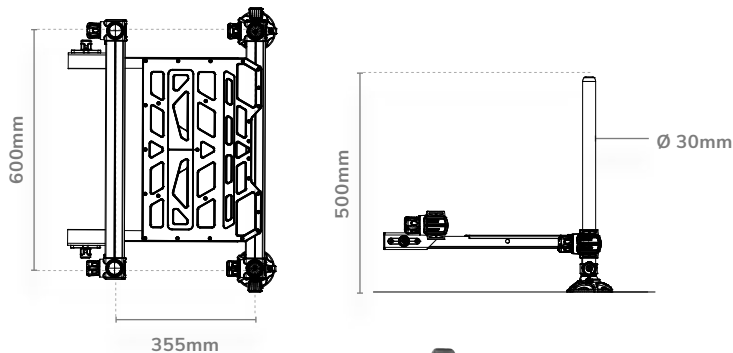
INCEPTION FOOT PLATFORM

P0120012 **£119.99***

Can be used on any Inception seatbox or Feeder Chair. Using a footplate makes it easier to get the correct posture and is particularly important when pole fishing. Comes complete with two telescopic legs for ultimate adjustability.

Comes with: Cassette bar, footplate and 2x 50cm telescopic legs

KG COMPLETE WEIGHT 3.5kg



INCEPTION SHUTTLE MULTI-ADAPTER

P0890050 **£29.99***

Designed to fit on any Preston Shuttle to help secure an Inception seatbox in place. Simply adjust the position of the arms by removing the bolts and inserting them into the correct position for your seatbox, this makes the adaptor completely universal and suitable for any Inception seatbox.

INCEPTION



26MM SHALLOW TRAY UNIT
P0890021 **£39.99***



40MM DEEP TRAY UNIT
P0890022 **£44.99***



100MM UNIT
P0890055 **£59.99***



SHALLOW SIDE DRAWER UNIT
P0890019 **£42.99***



DEEP SIDE DRAWER UNIT
P0890020 **£49.99***



DEEP SIDE DRAWER WITH REMOVABLE DIVIDERS UNIT
P0890054 **£49.99***



INCEPTION LEGS 30MM
P0890044 50cm (1 pair) **£29.99***
P0890045 75cm (1 pair) **£34.99***

Two different variations of spare telescopic legs which will cover a wide range of gradients on the bank. Supplied in pairs available in 50cm and 75cm, both variations feature a swivel mudfoot and a 30mm outer leg with a 25mm extending leg.



2 DRAWER UNIT
P0890052 **£129.99***



3 DRAWER UNIT
P0890047 **£129.99***



SEATBOX COVER
P0890026 **£17.99***



PADDED SEAT
P0890043 **£79.99***



INCEPTION HANDWHEELS
P0890049
2 per pack

Our shuttles have reliably transported anglers tackle to and from the peg for countless years. The two and four wheeled shuttles are built to last, utilising the most durable and top quality materials available. Our shuttle design hasn't altered over many years and that's for a very important reason: if it isn't broken, don't fix it! Our shuttles offer unrivalled reliability and will not let you down, no matter what terrain you're faced with.



FOUR WHEELED SHUTTLE

SPST/16 Four Wheeled Shuttle **£229.99***
 SPST/11 Spare Load Compartment Bag **£21.99***

The Four Wheeled Shuttle is the perfect way to transport your tackle to your peg. Designed to accommodate not only your box but your complete set-up including your holdall which can be strapped on to the rear support bar. With four wheels supporting its entire weight it's simply a matter of pushing it to your peg, no lifting required! The problem of punctures is eliminated by the solid tyres which can be adjusted to give more ground clearance.



SPACE STATION/ONBOX SHUTTLE

SPST/09 Space Station/OnBox Shuttle **£169.99***
 SPST/10 Spare Load Compartment Bag **£21.99***

A specially designed barrow style tackle transporter that has been developed to carry the Absolute, Inception, OnBox, Space Station and other seatboxes using the additional converter bar (supplied). The design also provides a large luggage loading area for carryalls and an additional removable utility bag between the handles for clothing, pole rollers, etc. In addition the shuttle handle bar system incorporates a foam covered cross bar that can be used to support rod holdalls.



4 WHEEL SHUTTLE CONVERSION KIT

SPST/19 **£74.99***

Converts existing two wheeled shuttles to four wheeled versions.

Includes 2 adaptors & 2 wheels



OFFBOX WHEEL KIT

P1150001 £99.99*

Designed specifically to make seatbox transportation simple, the OffBox Wheel Kit is a compact solution for the angler who requires a wheel kit to transport their seatbox. Designed to universally fit a wide range of seatboxes, this unique wheel kit makes transportation simple thanks to the sectional design of the frame. This allows the wheel kit arms to be left fitted to the seatbox which enables the angler to simply remove the wheels and pull handle making it easy to assemble.

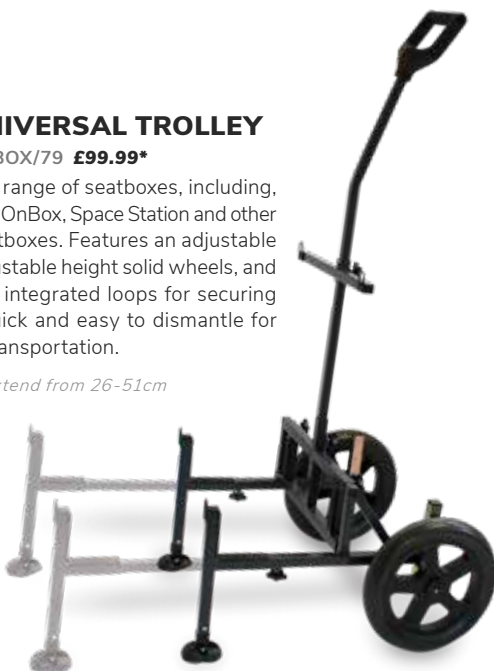
Supplied with two robust wheels, super strong connecting knuckles and a pull handle the OffBox Wheel Kit can transport heavy loads with ease, perfect for the modern-day angler.

OFFBOX UNIVERSAL TROLLEY

OFFBOX/79 £99.99*

Suitable for a wide range of seatboxes, including, Absolute, Inception, OnBox, Space Station and other manufacturers seatboxes. Features an adjustable base load area, adjustable height solid wheels, and a carryall bar with integrated loops for securing bungee straps. Quick and easy to dismantle for transportation.

Legs extend from 26-51cm



SPACE STATION SHUTTLE GROUND BAIT BUCKET HOOP

SPST/18 £29.99*

Purpose designed to accommodate most groundbait buckets (17-25L) and makes it easier to load your shuttle. Front loading to transfer and distribute weight, which improves balance and makes your shuttle easier to push.

Fits 2 and 4 Wheel Shuttles (models with removeable front bar only)



PRESTON INNOVATIONS

OffBox

At Preston Innovations we strive to create the most versatile and user friendly products we can. Our original OffBox Pro seatbox accessories are packed full of innovative features which have now evolved into our OffBox family.

With the introduction of our Absolute seatboxes with 36mm legs, we knew how important it was for our OffBox range to have this versatility and adaptability. After months of development and engineering we have developed the OffBox range which does exactly that, it fits every box leg diameter from 19mm square, right through to 36mm round.

We have a wide range of additional inserts to fit our OffBox knuckles, which enable you to use our OffBox seatbox accessories on whatever seatbox leg diameter you use. For any seatbox leg diameter below 23mm OnBox we have incorporated a dual insert design which smaller inserts fit into. Applying these inserts will provide your accessory with the perfect fit, so ultimately our OffBox range will fit every seatbox leg diameter on the market.



1 ANTI-SNAG HAND WHEELS

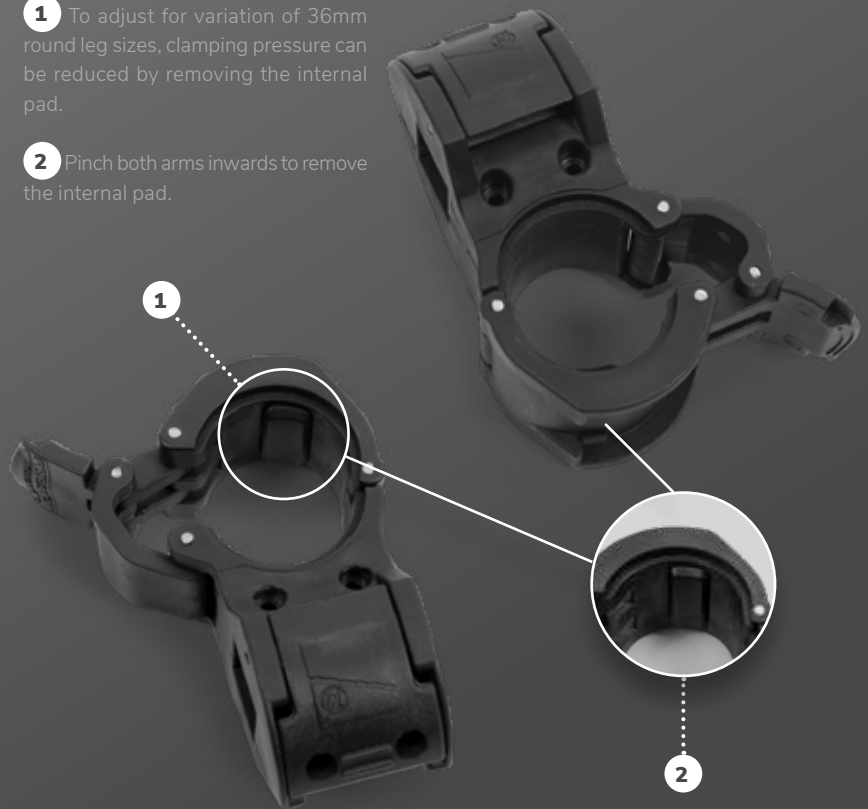
New ergonomic design featuring a soft rubberised finish, the handwheel conveniently locates within the knuckle to avoid trapping line and terminal tackle whilst fishing.

2 SNAP-LOK QUICK RELEASE CAM

For ease of assembly and interchangeability you can leave the knuckle attached to the seatbox leg and simply snap on the appropriate accessory. Makes tackling up and packing away quick and simple and allows accessories to be removed or changed whilst in use.

1 To adjust for variation of 36mm round leg sizes, clamping pressure can be reduced by removing the internal pad.

2 Pinch both arms inwards to remove the internal pad.



OffBox 36 accessories are supplied with 30mm, 25mm Round inserts and 23mm Square inserts

OFFBOX 36 INSERTS

P0110048 25mm Round / P0110049 23mm Square
 P0110050 30mm Round / OBP/100 32mm Round
 2 per pack

OffBox 36 inserts are not compatible with original OffBox accessories



Side Trays and Bait Stations

In our incredibly diverse range of Side Trays and Bait Stations we've factored in every potential fishing style and weather condition. Having your bait close to hand and in pristine condition is vital to making the most of your session.

Whatever you come up against on the bank you'll find a Side Tray or Bait Station in our comprehensive selection that's perfect for the job, suiting every requirement possible.



NEW
2022



OFFBOX SIDE FOOT REST

P0110077 £99.99*

H28 W62mm

The OffBox Side Foot Rest is a must have item for anglers who enjoy fishing in the margins. With its super strong moveable knuckle, you can position the rest exactly where you need it and on either side of the seatbox. Once the rest is in position, it allows you to rotate around on your seatbox and rest your feet at the correct position and height to face down the margins, making it far easier to fish. The two 36mm legs supplied can be extended to the correct height and also used for housing additional OffBox accessories if required.





DOUBLE DECKER

These two-tier side trays offer a vast amount of useable space while still remaining extremely compact. As with all the Venta-Lite range the Double Decker's feature our super strong clamping knuckle, this makes the trays extremely secure and stable. The second tier on each of the Double Decker models can also be used as a bait shelter during bad weather, perfect for the angler who prefers to fish without an umbrella.



DOUBLE DECKER SIDE TRAY SMALL

P0110059 **£89.99***

Small Tray **W365 D310mm** / Large Tray **W430 D390mm**

The ideal side tray when needing a tray that packs away small but provides a large area to use when fishing. The larger tray on the bottom is constructed from Venta-Lite material and can house several bait boxes, while the smaller top tray is constructed from solid aluminum making it useful as an addition bait/tackle storage area as well as a rain shield for the lower tray should it start raining mid session.



DOUBLE DECKER SIDE TRAY LARGE

P0110060 **£109.99***

Small Tray **W480 D320mm** / Large Tray **W540 D435mm**

A larger version of the Double Decker Side Tray which is supported by two extra strong knuckles. The two trays mean there is loads of room for bait and accessories while the tray still folds into a much smaller footprint for transportation.



VENTA-LITE HOODIE SIDE TRAY - SMALL

P0110057 **£74.99***
H280 W430 D390mm

The Venta-Lite Hoodie Side Tray - Small has been developed specifically for the angler who prefers a more compact side tray while the hood helps to keep your bait in perfect condition. This tray is the perfect model for those situations where a small quantity of bait and accessories are needed, ideal for use in the winter months when the weather is particularly severe or during warmer weather when keeping your bait sheltered from the sun is crucial. Comes complete with a super strong OffBox clamping knuckle.

Inserts supplied: 30mm round, 25mm round & 23mm square



VENTA-LITE HOODIE SIDE TRAY

P0110023 **£94.99***
H300 W560 D460mm

The Venta-Lite Hoodie is the ideal side tray when you are expecting changeable weather conditions throughout the day. You can comfortably fish with the hood down and simply pull it up when the rain starts, helping to keep your bait in top condition throughout the session. The hood is tightened into place with two handwheels which are located to the side of the tray.

Inserts supplied: 30mm round, 25mm round & 23mm square

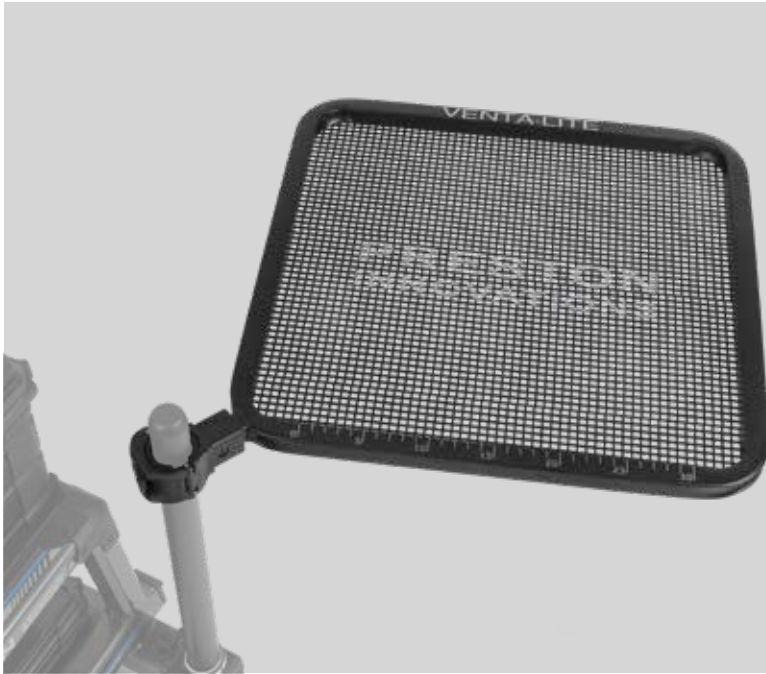


VENTA-LITE HOODIE SIDE TRAY XL

P0110033 **£124.99***
H510 W700 D610mm

Large enough to keep a huge amount of bait undercover and away from the rain or sun, simply lift the hood and fix in place with the hand screws on the side. A measure on the front of the tray can be used to quickly and effectively measure hooklengths or the depth you are fishing at, vital for efficiency in many types of fishing. New extra strong knuckles allow the tray to be used without a support leg in most instances, when using extreme quantities of bait we recommend the use of a Side Tray Support Arm.

Inserts supplied: 30mm round, 25mm round & 23mm square



VENTA-LITE MULTI SIDE TRAY

P0110075 **£49.99***
H430 W430mm

An extremely versatile side tray that can be used in a number of ways; as a conventional side tray on the side of a seatbox, as a second 'corner' side tray or as a rear tray.

Constructed from Venta-Lite material which helps to reduce weight and increase air circulation, keeping your bait cool. A super strong OffBox clamping knuckle is located on the corner of the tray and can be fitted to any seatbox using the supplied inserts (23mm, 25mm, 30mm) or 36mm without the use of an insert.



VENTA-LITE SLIMLINE TRAY

P0110008 **£64.99***
W770 D280mm

Originally designed as a secondary tray to be mounted to the rear of your box, ideal for wading applications, it also doubles up as a compact solution for pegs with limited space or the angler that has minimal bait requirements.

Inserts supplied: 30mm round, 25mm round & 23mm square



VENTA-LITE SIDE TRAY - LARGE

P0110024 **£69.99***
H50 W460 D620mm

The twin knuckled Venta-Lite Side Tray Large is the perfect size for most situations, with a capacity for six 3 pint bait boxes with some additional room. The mesh promotes airflow which in turn will keep your bait cool while also reducing weight.

Inserts supplied: 30mm round, 25mm round & 23mm square



VENTA-LITE SIDE TRAY - XL

P0110025 **£154.99***
H120 W720 D620mm

Constructed in two sections which can simply be slotted together. The tray is lightweight being made from aluminium mesh which also helps to keep your bait cool in hot conditions. It is recommended that support legs or a Side Tray Support arm is used due to the large size of this tray, two 36mm legs are supplied as standard. The XL side tray can also be used as a single piece tray with one support leg if required.

Inserts supplied: 30mm round, 25mm round & 23mm square



STORMSHIELD SIDE TRAY - STANDARD

P0110073 **£114.99***

W600 D400mm

The Standard Stormshield Side Tray is the perfect choice for feeder anglers. This popular design has several key features to help make it an essential product.

The Stormshield features our popular OffBox clamping knuckles which are incredibly stable, so stable in fact that this side tray does not require a support leg. However, if you do prefer using a support leg, the side tray is supplied with a knuckle to accept a leg (not supplied). The clamping knuckles are fully width adjustable to suit any box on the market.

Internal storage is excellent with plenty of space for bait boxes or EVA bowls, while the lift up lid also features internal pockets for housing smaller terminal tackle items safely. The Stormshield lid incorporates new twist grip arms which allows the lid to be angled wherever you need it to provide protection to your bait.

Inserts supplied: 30mm round, 25mm round & 23mm square



STORMSHIELD SIDE TRAY - XL

P0110074 **£134.99***

W650 D500mm

The XL version of the popular Stormshield Side Tray has all of the same design features as the standard model, but gives you more space. To help support this larger tray, a 36mm telescopic support leg and knuckle is supplied.

Inserts supplied: 30mm round, 25mm round & 23mm square





SIDE TRAY SMALL

P0110034 **£21.99***
W370 D260mm

The perfect size for several bait tubs and other items of tackle. The durable construction and recessed profile is compact enough to fit in most carryalls.

Inserts supplied: 30mm round, 25mm round & 23mm square



SIDE TRAY LARGE

P0110035 **£24.99***
W440 D330mm

The perfect tray choice for anglers that want a larger side tray. The large dimension is the perfect size for several bait tubs and other items of tackle.

Inserts supplied: 30mm round, 25mm round & 23mm square



UNI SIDE TRAY SUPPORT ARM

P0110036 **£22.99***

Side tray support legs can often be impossible to use, due to the depth of margins or narrow fishing platforms, which can leave your tray with no support. The Uni Side Tray Support Arm solves this problem and provides maximum support for any side tray. Compatible with leg profiles up to 36mm in diameter.

Inserts supplied: 30mm round, 25mm round & 23mm square



SUPER SIDE TRAY

P0110043 **£29.99***
W430 D390mm

Perfect for holding a large selection of baits and accessories, featuring a moulded lip to keep everything in place whilst fishing. Angled for optimum performance.

Inserts supplied: 30mm round, 25mm round & 23mm square

**18L
BUCKET
115**



BUCKET SUPPORT

P0110011 **£39.99***

Complete with 30mm Absolute extending leg which enables the Bucket Support to be used from the bank or in wading situations when extended. The leg can also be used to house additional OffBox accessories. The Bucket Support can also be used to support an unhooking bucket, vital for many European matches.

Compatible with the Preston 18 and 25 litre buckets and the large groundbait bowl



MONSTER EVA MEGA BAIT STATION

OBP/92 **£69.99***

W560 D390mm

Based around a lightweight and strong aluminium frame with zipped rectangular EVA bowl. The OffBox 36 knuckles can be attached to either seatbox or platform legs for ultimate stability and the lid can be propped up at various angles to offer protection from the elements whilst maintaining access to bait at all times.

Inserts supplied: 30mm round, 25mm round & 23mm square



GROUNDBAIT BOWL & HOOP

OBP/83 Small **£29.99***

P0110083 Large **£32.99***

A rigid plastic groundbait bowl and angled fixing hoop for attaching directly to seatbox or platform legs. Groundbait can be mixed in the bowl prior to fishing and then attached to your seatbox leg for use. SnapLok for ease of transport and assembly.

Inserts supplied: 30mm round, 25mm round & 23mm square



BUCKET AND BOWL SET

P0110084 **£54.99***

Comprises of one 25 litre capacity mixing bucket with lid and a groundbait bowl and riddle. Both bucket and bowl can be attached to your seatbox with the hoop support.

Inserts supplied: 30mm round, 25mm round & 23mm square

EVA BOWL & HOOP

P0110032 Small **£32.99***

OBP/86 Large **£37.99***

A waterproof EVA groundbait bowl with a rigid hoop, for attaching to a seatbox or platform legs. Collapsible for easy storage and transportation. SnapLok for ease of transport and assembly.

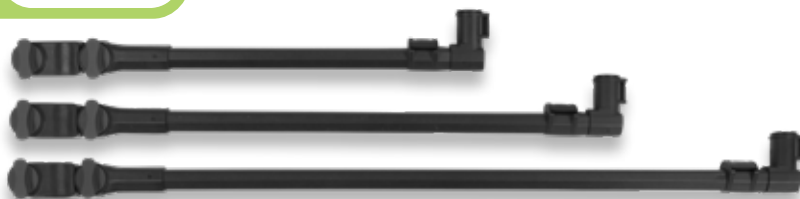
Inserts supplied: 30mm round, 25mm round & 23mm square





Feeder Arms

Stability and versatility are two fundamental aspects that have been incorporated into our broad selection of Feeder Arms. In this OffBox compatible range of Feeder Arms you'll find an arm to suit every fishing requirement and situation. The adaptability of our collection provides both commercial and natural anglers with a Feeder Arm that's stable, efficient, but most importantly versatile.



TELESCOPIC FEEDER ARMS

P0110061 Short (45-70cm) **£27.99***
 P0110062 Standard (60-101cm) **£29.99***
 P0110063 Long (80-137cm) **£32.99***

An ultra stable extending Telescopic Feeder Arm with an adjustable angle tilt constructed from a lightweight but strong extrusion. With three feeder arms in the range there is a length to suit every occasion, whether it be short rods on commercial fisheries or longer rods on rivers and natural venues. The Snap-Lok head allows you to quickly and easily remove and change your rest head depending on venue or conditions.

Inserts supplied: 30mm round, 25mm round & 23mm square



OFFBOX XS FEEDER ARMS

P0110079 Standard (70-120cm) **£39.99***
 P0110080 Long (100-180cm) **£44.99***

With dual fixing points, the XS Feeder Arms are extremely versatile and ultra stable. One of the fixing points can be situated under the seatbox frame making them perfect for use with traditional style seatboxes as well as stations. They feature easy angle tilt adjustment and are telescopic so the rest can be positioned at any angle and at multiple lengths, perfect for a wide variety of venues. Supplied with a quick release insert allowing you to quickly remove the rod rest head for storage.

Inserts supplied: 30mm round, 25mm round & 23mm OnBox inserts (x2 of each)



PRO FEEDER ARM

OBP/96 **£54.99***

Its unique design makes it one of the strongest and most stable feeder arms on the market. It has dual fixing points and anti-sag knuckles, increasing stability and efficiency. The Pro Feeder Arm is incredibly easy to adjust, providing you with the perfect position, increasing bite indication and striking efficiency.

Inserts supplied: 30mm round, 25mm round & 23mm square



TELESCOPIC SNAP-LOK FEEDER ARM

P0110037 Short (61-106cm) **£29.99***
 P0110041 Long (91-166cm) **£31.99***

Complete with SnapLok for quick and easy assembly and transportation, the new design offers greater stability and additional strength. The 360° infinite angle lock enables you to place your rod exactly where you want it, making the Telescopic Snap-Lok Feeder Arm ideal for venues where a conventional bankstick can't be used. Offers complete horizontal and vertical adjustment.

Inserts supplied: 30mm round, 25mm round & 23mm square



TRIPLE ROD SUPPORT

P0110006 **£19.99***

The Triple Rod Support is ideal for storing up to 3 rods whilst fishing. You can attach it to the leg of your seatbox or platform and adjust the angle, leaving spare rods close to hand at all times.

Inserts supplied: 30mm round, 25mm round & 23mm square



ROD SUPPORT

P0110042 **£12.99***

To safely and securely hold your rod leaving your hands free for tying rigs, catapulting bait or unhooking fish.

Inserts supplied: 30mm round, 25mm round & 23mm square



DELUXE BUTT REST ARM

P0110004 **£21.99***

Perfect for precision location of your rod butt when feeder fishing, fully adjustable and featuring dual SnapLok quick release cams for ultimate adjustability. Includes a compact Dutch Master EVA rest head.

Inserts supplied: 30mm round, 25mm round & 23mm square

GREY BAIT BROLLYP0110076 **£42.99***

A must-have product for keeping your bait safe from driving rain and shaded from the beating sun. Having the very best bait can be the difference between winning and losing, the OffBox Grey Bait Broolly allows you to do this with ease. Supplied with a bracket that has been designed specifically to fit onto many existing Preston side trays, the Grey Bait Broolly can be positioned exactly where you need it. It features a tilt mechanism and the central bar can be completely screwed out and placed in a 45 degree position.

**EXTENDING BAIT BROLLY ARM**P0110072 **£24.99***Closed **W46cm** Fully extended **W72cm**

Allows you to perfectly position your bait broolly, simply clamp the knuckle to a seatbox leg underneath the side tray and adjust the arm to the perfect length.

Super sturdy design, compatible with the Offbox Grey Bait Broolly

**SNAPLOK TOOL BAR**P0110001 **£67.99***

With dual telescopic extensions, designed to fit across the front of your footplate and includes 3 SnapLok Accessory Blocks suitable for attaching keepnets, pole socks and other accessories. The Tool Bar has now been improved and features SnapLok, this allows you to leave the main knuckles on the footplate legs and simply snap the bar into these knuckles at the start of your session.

Inserts supplied: 30mm round, 25mm round & 23mm square

MINI TOOL BARP0110051 **£32.99***

Compatible with most seatbox leg profiles, making this an incredibly versatile and compact tool bar. This telescopic Mini Tool Bar will rotate independently on a single seatbox leg and includes two SnapLok Accessory Blocks, which can be fitted horizontally or vertically for securely and quickly attaching keep nets, pole socks and other OffBox accessories.

Inserts supplied: 30mm round, 25mm round & 23mm square

**SNAPLOK ACCESSORY BLOCK**

P0110044

Compatible with the Tool Bar and Mini Tool Bar, the SnapLok Accessory Block offers an effective way to attach keepnets and accessories such as pole socks and pole grips.

Inserts supplied: 30mm round, 25mm round & 23mm square

**QUICK RELEASE INSERTS**

P0110012

Can be used in conjunction with all OffBox SnapLok attachments and are ideal for making multiple accessories OffBox compatible.

2 per pack

**QUICK RELEASE ACCESSORY BLOCK**

OBP/48

Can be fitted horizontally or vertically and comes complete with Quick Release Insert.

Inserts supplied: 30mm round, 25mm round & 23mm square

**XL BANKSTICKS**OFFBOX/102 125mm
OFFBOX/103 250mm

Compatible with OffBox accessories, the XL Banksticks feature the 30mm Absolute profile and provide an ultra stable solution to attaching keepnets, rod rests and other seatbox accessories.



MEGA BROLLY ARMS

P0110015 Short 16cm **£22.99*** / P0110014 Long 34cm **£24.99***

With twin knuckles for ultimate stability, they secure the umbrella to the seatbox and can be rotated to the desired position for optimum coverage.

Inserts supplied: 30mm round, 25mm round & 23mm square



CLICKER COUNTER

P0110078 **£15.99***

A must have item for any match angler who simply wants to count the number of fish they have caught or add up their weight to avoid exceeding net limits. Its operation is extremely simple, pressing the large button on top while the display can be reset by twisting the dial on the side of the unit. The clicker counter is supplied with an OffBox knuckle including inserts meaning it will fit directly to the leg of virtually all seatboxes and footplates on the market.

Inserts supplied: 30mm round, 25mm round & 23mm square



UNIVERSAL ARM

P0110082 **£17.99***

Can be fixed horizontally or vertically for ultimate versatility. Complete with 125mm XL Bankstick the Universal Arm has a multitude of uses.

Inserts supplied: 30mm round, 25mm round & 23mm square



UP & OVER POLE REST

P0110031 **£12.99***

Use on its own as a rod or butt rest or alternatively as a pair to hold the pole whilst feeding. With soft grip pole hooks to minimise risk of pole damage.

Inserts supplied: 30mm round, 25mm round & 23mm square



BALLING IN ARM

P0110053 **£19.99***

Fully adjustable for balling in groundbait when used as a pair. Can be used singularly as a rod or pole rest. With soft grip pole hooks to minimise risk of pole damage.

Inserts supplied: 30mm round, 25mm round & 23mm square



RIPPLE BAR SINGLE

P0110020 Short 22cm (9") **£17.99*** / P0110017 Long 35cm (14") **£19.99***
 For use with rod rest heads, butt rests, pole grips and pole socks. Designed for holding pole sections when not in use.

Inserts supplied: 30mm round, 25mm round & 23mm square



RIPPLE BAR DOUBLE

P0110021 Short 20cm (8") **£19.99*** / P0110018 Long 30 cm (12") **£21.99***
 Features two threads for attaching a multitude of accessories. Can also be used for holding pole sections when not in use.

Inserts supplied: 30mm round, 25mm round & 23mm square



RIPPLE BAR TRIPLE

P0110003 **£21.99***

Features two threaded inserts and a third upright to separate and easily store pole sections when not in use, ideal for use with pole socks, pole grips and butt rests.

Inserts supplied: 30mm round, 25mm round & 23mm square



SPACER BAR

P0110052 **£15.99***

To position side trays and other accessories around the seatbox offering a more versatile set up and allowing the angler to make better use of the space in their peg.

Inserts supplied: 30mm round, 25mm round & 23mm square



CROSS ARM

P0110029 Short 18cm (7") **£14.99*** / P0110030 Long 30cm (12") **£15.99***
 Angled 90° arm has a multitude of uses and comes complete with Quick Release Insert for use with keepnets, pole socks and bait waiters.

Inserts supplied: 30mm round, 25mm round & 23mm square



KEEPNET ARM

P0110027 Short **£13.99*** / P0110028 Long 32cm (12.6") **£15.99***
 Can be rotated into any position, enables quick removal for weighing in. Complete with Quick Release Insert for fitting to keepnets.

Inserts supplied: 30mm round, 25mm round & 23mm square



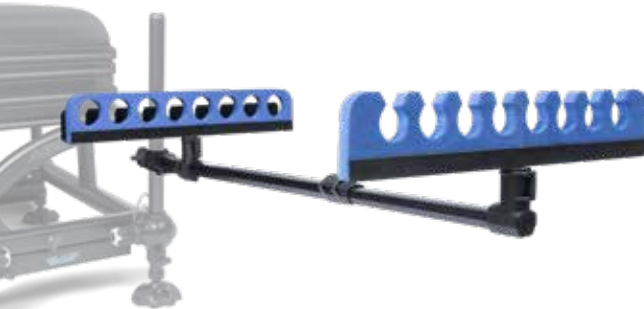
DELUXE KIT SAFE

OBP/62 **£99.99***

This is the ultimate top kit roost providing the angler with a highly versatile and stable solution to storing top kits and rods. The adjustable OffBox SnapLok rotational arm gives you the freedom to position your top kits at any angle, in the immediate vicinity of your box or side tray, importantly keeping them close to hand and avoiding bank-side obstructions.

The soft EVA roost head can house up to 12 top kits and the wide grooves make it possible to house larger sections, up to and including top 5 kits. The captive EVA rear head locates the top kits securely in place and features a solid Pulla Bung friendly slotted back plate, catering for every kit you're likely to use. Both heads have integrated SnapLok Quick Release Inserts, increasing efficiency and ensuring the Deluxe Kit Safe is compact when packed away. The length and height are both adjustable by using the Quick Release Cams and also included as standard is an adjustable stability strap.

Inserts supplied: 30mm round, 25mm round & 23mm square



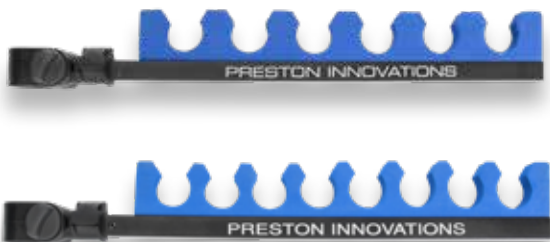
STANDARD KIT SAFE

P0110016 **£69.99***

Shares many of the same innovations and key features as the larger Deluxe Kit Safe. The single attachment can be fixed to your box leg in any position, crucially keeping all of your top kits close to hand right where you need them and is supplied with an 8 section roost head and a corresponding captive EVA rear head complete with Pulla Bung friendly back plate.

Complete with Quick Release Cam to instantly adjust the length if accommodating longer kits, and integrated Quick Release Inserts on the EVA heads resulting in a compact but incredibly effective roost kit.

Inserts supplied: 30mm round, 25mm round & 23mm square

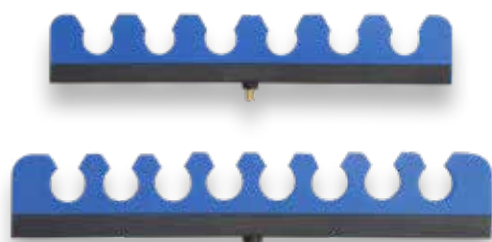


ROOSTS

OBP/88 6 Section / OBP/89 8 Section **£17.99***

Designed to ensure that top kits are stored safely and securely.

Inserts supplied: 30mm round, 25mm round & 23mm square



TOP ROOSTS

P0110002 6 Section / OBP/40 8 Section **£14.99***

Perfect for storing top kits safely and securely when used in conjunction with an OffBox Cross Arms or Ripple Bars. Made from soft EVA with a standard screw thread, can also be fitted to a standard bankstick or tripod.



COMPETITION PRO ROOST

P0220023 **£59.99***

H66-91 W70cm

A 4 legged roost with extending legs, perfect for use with rods or pole top kits when on the bank or in wading situations. The legs lock out securely, helping to keep everything stable. There are 12 EVA slots making it ideal for large amounts of top kits or a few well-spaced rods.

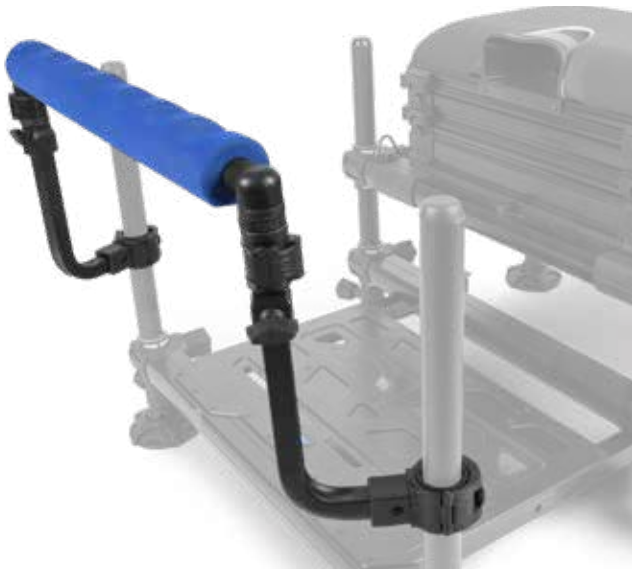


COMPETITION PRO ROOST DELUXE

P0220044 **£114.99***

H47-111 W140cm

A highly adjustable roost system, designed primarily for housing large numbers of rods but can also be used when using large amounts of top kits. The roost can be set up with 24 EVA slots in a line, perfect for spacing out a large number of rods, you can remove the SnapLok EVA heads and turn them to make a 12 slot roost with a front and back, ideal for pole top kits, the main frame can be adjusted to alter the distance between the two roosts. The legs on the Deluxe Competition Pro Roost Deluxe are double extending, making it extremely versatile whatever terrain you are fishing on.



POLE SUPPORT

P0110064 £49.99*

This versatile Pole Support has been designed to fit a wide range of seatboxes. With key features such as telescopic height adjustment, SnapLok and our revolutionary extra strong clamping knuckle, this pole support has been built to be both strong yet compact making it perfect for using on the bank and storing while in transit.



PRO POLE SUPPORT

P0110065 £74.99*

An upgraded version of the popular OffBox 36 Pro Pole Support, this model has been developed to be even more stable and user friendly, featuring two of our extra strong knuckles making the Pro Pole Support super strong and most importantly ultra-stable. It offers a huge range of adjustability so is ideal for every occasion. Comes supplied with a high quality storage bag.





STANDARD GRIPPER ROOST

P0110054 **£32.99***

W56cm

An 8-section roost designed to securely fix your top kits or rods in place. Each Gripper Roost features a unique design where the inner arms collapse inside preventing any unwanted snagging of the line. This roost features a SnapLok connection making it extremely fast to assemble.



EXTENDING GRIPPER ROOST

P0110055 **£49.99***

W78cm (extending knuckle positions 37-63cm)

An 11-section roost designed to securely fix your top kits or rods in place. Each Gripper Roost features a unique design where the inner arms collapse inside preventing any unwanted snagging of the line. This roost features a unique extending system making it extremely versatile as it will fit a wide variety of side trays.

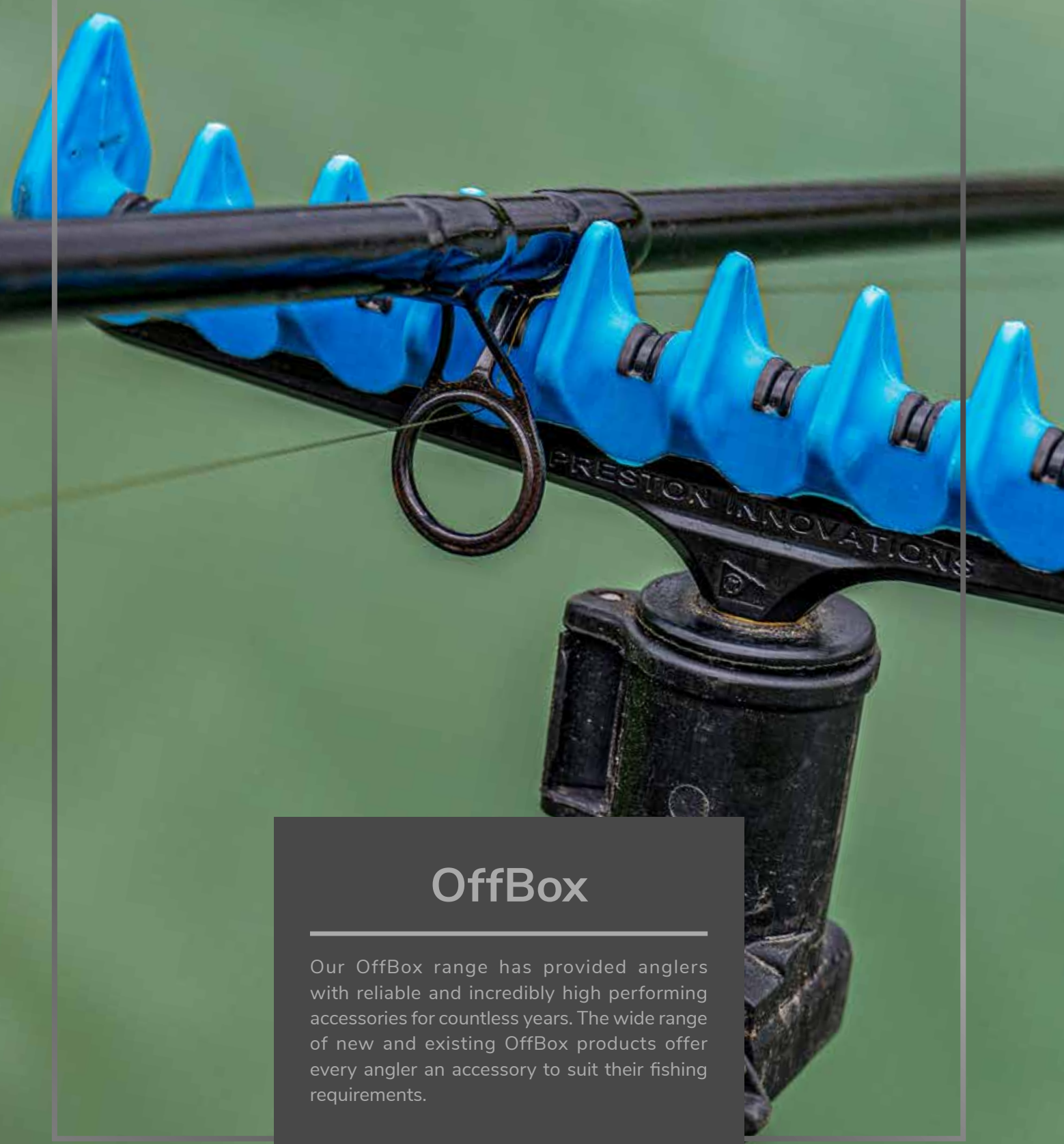


GRIPPER ROOST

P0110056

A uniquely designed Gripper Roost that features two collapsible inner arms which prevents any unwanted snagging of line. Manufactured from ABS plastic making them ultra-strong and durable.





OffBox

Our OffBox range has provided anglers with reliable and incredibly high performing accessories for countless years. The wide range of new and existing OffBox products offer every angler an accessory to suit their fishing requirements.



Pole Safe Sock

Pole Safe Combo

POLE SAFES

P01100085 Pole Safe Sock **£12.99*** / P01100086 Pole Safe Combo **£15.99***

The Pole Safes are available in two formats, a Sock and a Combo.

The Sock is ideal for anglers who like a compact set up and can be attached to an Offbox Ripple Bar or Cross Arm using the attached thread. For an even more compact set up, the Sock can be attached using the Snaplok fitting on the side using a Short Keepnet Arm. At the base of the Sock there is a soft area to protect your pole further while the Sock itself is fully padded for ultimate pole protection.

The Combo has all of the same features as the sock but includes a Pole Grip, giving the angler both options. Many anglers prefer to use a grip for smaller sections while storing unused butt sections in the sock, the Combo helps to keep everything to hand while offering great protection for your expensive carbon products. The Combo features a Snaplok block at either end which gives the option of reversing the product and having either the Sock or the Pole Grip situated nearer to the seatbox.





ROD SAFE - U
P0110069

Designed to be extremely simple and compact, the Rod Safe - U is tough, durable and perfect for almost any type of fishing. There is a deep line slot at the base of the rest allowing you to move your line while the rod is in the rest, essential for tensioning your line correctly. The height of the sides has been calculated to ensure maximum security, while still being easy to remove the rod when a bite occurs.



ROD SAFE - MULTI
P0110070 **£10.99***

The Rod Safe - Multi is the perfect commercial fishing rod rest, allowing you to put your rod in multiple positions, adjusting the tension to the tip as required. There is a groove in each section allowing you make tiny adjustments to the tip while each section has walls high enough to help stop your rod from being pulled in during violent bites.



ROD SAFE - PRECISION
P0110071 **£13.99***

Designed primarily for natural style fishing, the Rod Safe - Precision is perfect when you need to drag your feeder slightly or make incredibly fine adjustments to the tip when using braided mainlines. There are raised ends to help keep your rod on the rest, even during violent bites.



METHOD FEEDER REST
P0110045 **£14.99***

Features a fully padded arm to protect the rod and guides from damage. Shape allows the rod to move freely along the rest on the bite whilst the curved end prevents the rod from being pulled off by an aggressive take.



DELUXE DUTCH FEEDER REST

P01100038 Short **£16.99*** / P0110039 Standard **£19.99***

The deluxe version features rippled foam for perfect rod placement and comes complete with a Fixed Angle Lock for precision adjustment. Essential for all serious feeder anglers. Includes fixed angle lock.



MINI BUTT REST

P0110046

The perfect compact Butt Rest, ideal for use with both cork and EVA rod butts. Manufactured in a super soft rubber compound which aids in gripping the butt of the rod slightly, this allows you to angle the butt of the rod in any direction without the worry of the rod sliding.



BUTT GRIPPER REST

P0110026

The Butt Gripper Rest is extremely versatile and can be used in conjunction with a wide range of rod butt diameters. The soft grippy TPE ribs will help to grip the butt, while still allowing you to remove the rod smoothly when a fish is hooked or a recast is required.



FREE FLOW ROD REST

OFFBOX/69

High-sided rod rest on a Fix Angle mechanism featuring a deep line groove allowing direct contact with your bait.



POLE GRIP

OFFBOX/87

Holds your pole close to hand. Gently sprung plastic sides grip pole sections from 3-6. Use with either a standard bankstick or one of several OffBox attachments.



TUBE ROD REST

OFFBOX/42

The soft rubber tube insert and high sides hold your rod securely in place even in the windiest conditions. The Tube Rod Rest also incorporates a Fix Angle ensuring that the rest remains at exactly the right angle.



QUIVER ROD REST

OFFBOX/41

Special 'angle' design head enabling secure rod positioning when fishing the tip. This rod rest head comes with the Fix Angle mechanism which locks the rest into the exact angle required.



ANGLE LOCK

P0110019

Designed to be screwed into a bankstick or an OffBox arm, with a robust locking mechanism to take any accessory with a standard thread and make it adjustable.



FIXED ANGLE LOCK

P0110022

Designed to fit between a feeder arm and feeder rest, providing the angler with an ultra stable, positive set up.



Bait Preparation and Storage

We strongly believe that bait preparation and storage ultimately enhances your performance on the bank.

Having the correct tools to enable your bait to be in perfect condition is an essential aspect in fishing and throughout this range you'll find a product to fit every application.



TOWEL

P0200229

An essential item for every angler, perfect for drying or wiping bait from your hands, or just as good for cleaning items of tackle at the end of the session.

100% Cotton



WHITE BAIT TUBS

- P0260007 0.5 pt (0.3L)
- P0260004 1 pt (0.6L)
- P0260005 2 pt (1.2L)
- P0260008 3 pt (1.8L)

Keep your bait cool in hot conditions and also allows you to easily pick out hookbaits against the light background. The White Bait Tubs have internal measurements to allow you to accurately measure your bait.



BAIT TUBS

- P0260006 0.5 pt (0.3L)
- P0260001 1 pt (0.6L)
- P0260002 2 pt (1.2L)
- P0260003 3 pt (1.8L)
- OFFBOX/17 5+ pt (3+L)

These excellent Bait Tubs have internal measuring marks for accurate bait volume checking and work well individually or as a modular unit.



BAIT SPRAYER

PBS/01

The Bait Sprayer is an essential bait accessory. It's a quick and easy way to make sure your bait stays in perfect condition. Can be used for groundbait, leam and pellets. Adjustable brass nozzle.



SUPER PELLET PUMP

P0220011 **£12.99***

Designed by match fishing legend Andy Findlay, the Super Pellet Pump offers a quick and easy solution to preparing expander pellets. The ultra-compact design allows you to prepare perfect soft hookbaits in under 30 seconds.



COMMERCIAL PUNCH KIT

P0220005 **£18.99***

Ideal for creating perfect hookbaits, while also keeping them fresh. The spring loaded lid can be opened with one hand by pressing the button on the edge of box. Four spring loaded punches included in the pack (6mm, 8mm, 10mm and 12mm).



18L BUCKET

PBUCKET/01 **£10.99***

Perfect for mixing any quantity of groundbait up to the 18 litre capacity. Constructed from super tough polypropylene and complete with a metal handle. The bucket is 400mm in diameter and features an internal measure for when groundbait limits apply.





STAINLESS STEEL WHISK

P0220071 **£23.99***

Constructed from high quality stainless steel, this whisk is perfect for mixing up large quantities of groundbait in a bucket, ensuring that the groundbait is mixed evenly throughout. The base of the whisk is flat ensuring no part of the groundbait is missed, while the tall round shape means that the maximum amount of groundbait is in contact with the whisk at all times, especially important when mixing larger amounts of bait.



ROUND RIDDLE

OFFBOX/57 **£12.99***

High quality Round Riddle. Fitted with medium mesh for maggots, casters and groundbaits. Lightweight and robust makes the job of riddling your bait easy.



3mm



4mm



6mm

RIDDLES

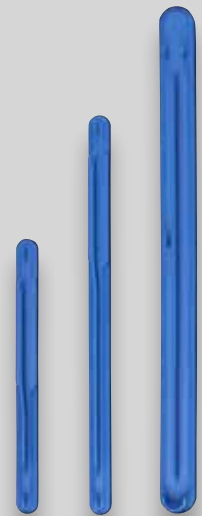
P0220061 3mm (green) / P0220062 4mm (blue) / P0220063 6mm (black) **£19.99***

Designed to fit straight onto the Preston and Sonubaits 18L Buckets, the Preston Riddles are made from high quality, impact resistant plastic and high quality stainless steel mesh. The mesh is available in three sizes, 3mm, 4mm and 6mm. These can be used for any baits from pinkies through to coarse groundbaits.



MAG STORE SYSTEM RANGE

- 4" - Suitable for 10cm rig sticks
- 6" - Suitable for 15cm rig sticks (can also accept 10cm Rig Sticks)
- 8" - Suitable for 30 & 38cm rig sticks (can also accept 10cm and 15cm Rig Sticks)



InBox

The InBox range has seen several new innovative additions over recent years, increasing the diversity and versatility of our InBox family. Our wide variety of InBox products which vary from hooklength storage, through to pole float winders covers lots of requirements and umpteen advantages to your fishing.

MAG STORE SYSTEM RIG STICKS

P0220006 10cm (4")

P0220007 15cm (6")

P0220008 30-38cm (12-15")

Additional Rig Sticks available in three sizes to fit into the Mag Store System Hooklength boxes.

10cm (4") & 15cm (6")

4 per pack

30-38cm (12-15")

3 per pack



MAG STORE SYSTEM FEATURES

- Waterproof rubber gasket
- Ribbed Rig Stick for increased hooklength stability
- Multi Rig Stick storage for improved versatility
- Strong neodymium magnets
- Dual identification slots
- Impact resistant plastic case

**MAG STORE SYSTEM
HAIR RIGS &
HOOKLENGTHS
PAGE 166**



MAG STORE SYSTEM HOOKLENGTH BOXES

P0220001 10cm (4") **£15.99*** / P0220002 15cm (6") **£18.99*** / P0220003 30-38cm (12-15") **£20.99***

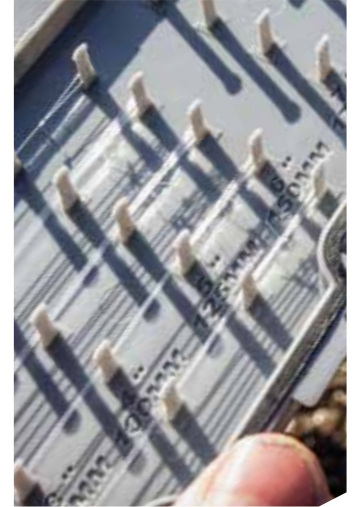
The Mag Store System is the ultimate hooklength storage system and is available in three sizes to accommodate hooklengths from 4" through to 15". The Mag Store System uses magnets to locate each individual Rig Stick in the system box (8-10 Rig Sticks supplied in each system depending on size), allowing you to swap and change their location within the box and add new Rig Sticks that contain different hooklengths. There are a whole host of features on the Mag Store System. A weatherproof rubber gasket helps to keep the inside of the box dry at all times, while the dual identification points make locating the correct box easy. The system is constructed from high grade materials from the impact resistant plastic casing through to stainless steel hinges.



MAG STORE SYSTEMS UNLOADED

P0220067 10cm (4") **£10.99*** / P0220068 15cm (6") **£13.99*** / P0220069 30-38cm (12-15") **£15.99***

The Mag Store System is the ultimate hooklength storage system and is available in three sizes to accommodate hooklengths from 10cm through to 38cm. These Mag Store boxes are supplied unloaded and allow you to safely and securely store pre tied Mag Store hooklengths, each rig stick can be located in any of the set positions within the Mag Store Case. Mag Store pre-tied hooklengths can be purchased and added to the box in seconds. There are a whole host of features on the new Mag Store System. A weatherproof rubber gasket helps to keep the inside of the box dry at all times while the dual identification points make locating the correct box easy. The system is constructed from high grade materials from the impact resistant plastic casing through to stainless hinges.



ABSOLUTE ALL-ROUND HOOKLENGTH BOX

P0220073 £19.99*

The Absolute All-Round Hooklength Box is ideal for storing large amounts of hooklengths from 3" (75mm) up to 9" (225mm). The capacity is huge with the box featuring long pegs that will accommodate up to 20 hooks. There are 20 available positions for longer hooklengths up to 9" and 40 positions if hooklengths are 3 or 4" long, meaning that up to 800 3 or 4" hooklengths can be stored.

The gasket helps to prevent water from entering the box which is sealed by two clips and additional magnets on the sides. The box is constructed from an ultra-durable ABS plastic and has fixed pegs which are perfectly positioned and will not let you down. Each hooklength type can be clearly marked on the labels included.





REVALUTION STORAGE SYSTEM

P0220025 Revalution Storage System **£26.99***
 P0220026 Revalution Spools (4 per pack)

The Revalution Storage System is a spool system with a difference, EVA spools are the best way of storing long hooklengths but now pins are not required with the rotating plastic pin. There is an area on the spool for easy rig identification, displaying Rig length, line diameter as well as hook size and type. 21 spools are supplied in a storage box which has a semi-transparent lid, helping to eliminate light from the box. Stickers can be added to the inside of the lid for further spool identification.



HARDCASE ACCESSORY BOX

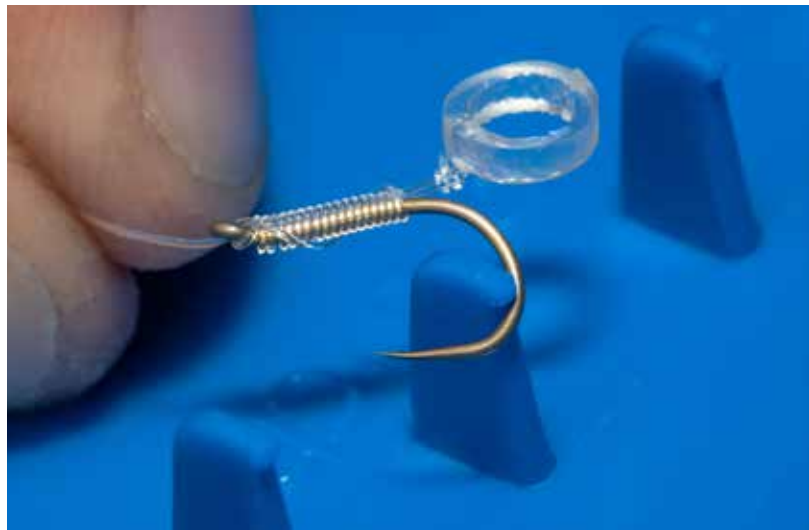
P0220072 **£11.99***
H6 W17 D15.5cm

Perfect for keeping a wide array of accessories safe and secure, from delicate pellet wagglers and pole floats through to feeders. The Hardcase Accessory Box is secured with two positive clips which in conjunction with the TPE gasket help to keep the contents of the box dry. The three sectioned divider supplied is ideal for separating out different styles of feeders or floats and can be removed entirely if required leaving a larger individual space.

HARDCASE ACCESSORY BOX XL

P0220113 **£14.99***
H9.5 W17 D15.5cm

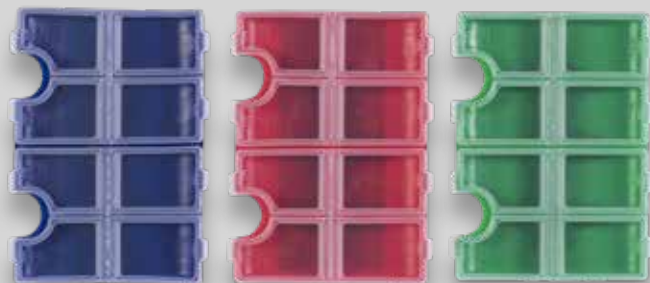
Perfect for keeping a wide array of accessories safe and secure from delicate pellet wagglers and pole floats through to feeders, including window feeders which can be stored upright. The Hardcase Accessory box is secured with two positive clips which in conjunction with the TPE gasket help to keep the contents of the box dry. The removable dividers create lots of possible configurations from two large sections through to eight small sections, perfect for carrying a range of feeder sizes.



HOOKLENGTH BOXES

P0220054 Short / P0220055 Long

The Hooklength Boxes have doubled in capacity and allows you to securely store up to 10 different hook patterns/line diameter combinations in one hook box. In addition, there is an extra long peg which can be used to help tie the rig to the correct length. The Short Hooklength Box gives you the option to store 3', 4', 5' and 6' lengths, whilst the Long Hooklength Box allows you to store 6', 8', 10' and 12' lengths.



8 COMPARTMENT MAGNETIC HOOK BOXES

P0220120

Featuring a strong magnet hidden in the base that holds your hooks securely and a smooth curved base to make their removal easy. Because the hooks never touch the magnet, corrosion is greatly reduced if the hooks get damp. The lids open individually and are waterproof. Each is colour-coded for easy recognition.



DOUBLE SLIDER WINDERS

P0020024 13cm Yellow / P0020015 18cm Red / P0020016 20cm Green
P0020017 22cm Blue / P0020067 26cm Orange / P0020026 26cm Wide Purple

Each Double Slider Winder features two sliders so two rigs can be neatly stored on each winder. There is a slot for your hook and a peg which would hold a loop, meaning that rigs can be tied and hook lengths added at a later date if needed without kinking your line. The sliding anchor can be moved along the full length of the winder. There is a small retaining spike at both ends of the slider so it doesn't matter which way you wind your rig on. The tapered 'V' hook holding slot can accommodate hooks as small as size 26 without damage.

10 per pack



INBOX WINDER TRAYS

P0020019 13cm Yellow / P0020020 18cm Red
P0020068 26cm Orange / P0020030 26cm Wide Purple **£13.99***

Open trays filled with Double Slider Winders which fit in the drawers and units of Absolute, Inception and OnBox seatboxes.

13cm 20 per pack / 18cm 14 per pack / 26cm 9 per pack / 26cm 7 per pack



INBOX DOUBLE WINDER BOXES

P0020027 13cm Yellow / P0020028 18cm Red / P0020069 26cm Orange **£13.99***

Boxes filled with Double Slider Winders which fit in the shallow side drawers of the Absolute, Inception, Space Station and OnBox range enabling different rigs to be interchanged depending on requirements.

13cm 20 per pack / 18cm 14 per pack / 26cm 9 per pack





Luggage

Over the years, our luggage ranges have seen lots of developments and evolution.

We're always striving to produce the highest quality luggage possible to give you the utmost confidence and dependability in your fishing.

We believe that it is essential to develop our luggage to suit every requirement you have and between the Competition, Monster, World Champion Team Feeder and flagship Supera luggage we feel there's a luggage range to suit every anglers demand.



HARD CASE

HARDCASE POLE SAFE

P0130102 £119.99* H190 W16 D12cm

A compact solution to storing and protecting your expensive pole sections, the Hardcase Pole Safe features a strong robust outer shell which makes using PVC tubes a thing of the past. Inside the Hardcase Pole Safe there are several elasticated straps and protective mesh webbing to ensure sections are secure during transit. This protective item of luggage is capable of housing two complete 16m poles or a single 16m pole and a multitude of kits or spare sections. Stylish branding, durable oversized zips and deluxe padded carry strap all feature making this a must have item for any pole angler.



HARD CASE

HARDCASE KIT SAFE

P0130103 £99.99* H190 W12 D9cm

The ultimate solution to storing both top kits and spare pole sections, the Hardcase Kit Safe has the capacity to store more than twenty, one or two piece top kits. Designed to house both traditional two piece and in vogue F1 short kits this robust item of luggage offers a safe and secure place to store all your top kits. With many anglers choosing to use 1 piece top kits the Hardcase Kit Safe allows the angler to leave pole rigs mounted on their kits and store them securely within the hard outer shell of the Kit Safe. The internals of the Hardcase Kit safe feature elasticated straps and protective mesh webbing. Stylish branding, durable oversized zips and deluxe padded carry strap all feature making this a must have item for any pole angler.



HARD CASE

HARDCASE TACKLE SAFE - STANDARD

P0130104 £69.99*

H45 W29 D27cm

The Hardcase Tackle Safe has been developed as a multi-purpose item that can store both bait and other smaller items of tackle. Manufactured from robust EVA and featuring a hard moulded lid makes the Tackle Safe extremely water resistant, perfect for adverse weather conditions. A strong moulded collapsible handle and deluxe padded carry strap allow the Tackle Safe to be transported easily. The compact design also aids with storing the luggage both on and off the bank.





Supera Luggage

High quality luggage to meet the needs of the modern angler, being both practical and stylish in equal measures. The Supera luggage is constructed from high grade 840D wipe clean fabric which is extremely hard wearing and can be easily cleaned at the end of a session if required.

The luggage is finished with high quality components from the zips through to the cool lining chosen in the bait bags and many items include the Hardcase protection.

The Supera luggage is aimed at anglers who fish a variety of venues and encompasses every item of luggage an angler is likely to require from Pole Holdalls and Rod Bags to Bait Bags and Reel Cases along with everything in-between.



HARDCASE

LARGE POLE HOLDALL

P0130064 190cm **£84.99***
H190 W29 D20cm

Accommodates up to 10 tubes and other items of tackle, such as landing net handles, feeder arms, etc. It's a massive holdall that will give you loads of storage for all your pole sections, top kits and other items of tackle. This high quality luggage meets the needs of the modern angler, being both practical and stylish in equal measures.

100% Polyester

ROD HOLDALLS

P0130061 Small **£109.99***
H185 W22 D20cm
P0130060 Large **£139.99***
H185 W28 D23cm

These are the perfect storage solutions for poles, rods, top kits, handles, brollies, you name it you can store it all in these holdalls.

100% Polyester



HARD CASE

2 ROD HOLDALL

P0130069 190cm **£84.99***
H190 W16 D19cm

The perfect size to comfortably store up to two rods and reels. The long external pocket is the perfect size for storing all of our landing net handles, brollies or Tip Tubes. Features two carrying straps for easy transport to and from your peg.

100% Polyester

HARD CASE

4 ROD HOLDALLS

P0130068 160cm **£109.99***
H160 W24 D22cm
 P0130067 190cm **£119.99***
H190 W24 D22cm

These holdalls are the perfect size to comfortably store up to four rods and reels. The long external pocket is the perfect size for our landing net handles, brollies or Tip Tubes.

100% Polyester

HARD CASE

COMPACT 6 ROD HOLDALLS

P0130096 175cm **£149.99*** **H175 W31 D29cm**
 P0130097 195cm **£159.99*** **H195 W31 D29cm**

These compact Supera 6 Rod Holdalls are perfect for storing up to 6 rods with reels, the Hardcase construction keeping them safe during transit. The rod handles can be staggered using the built in pockets while the rods can also be securely strapped in place with the built in rod straps.

Three spacious pockets on the outside of the bag mean that items like landing net handles, brollies and quivertips can be stored safely and securely.

Available in two lengths, 175cm for 3 piece rods and 195cm which is suited to 2 piece rods up to 12ft in length.

100% Polyester



HARD CASE

SMALL BAIT BAG

P0130071 **£54.99***
H28 W42 D30cm

Features a hardcase base and spacious main compartment which results in the ultimate compact Bait Bag. The main compartment is the optimum size to house the perfect amount of bait tubs and EVA Accessory Cases. To give you even more storage, we have added two external pockets.

100% Polyester



HARD CASE

LARGE BAIT BAG

P0130059 **£64.99***
H30 W64 D35cm

Features a hardcase base and spacious main compartment which results in the ultimate heavy duty Bait Bag. The main compartment is the optimum size to house the perfect amount of bait tubs and EVA Accessory Cases. To give you even more storage, we have added three external pockets.

100% Polyester



HARD CASE

CARRYALL

P0130070 **£64.99***
H40 W62 D42cm

This deep wide bag is the perfect storage solution for lots of items of tackle. The Carryall features four external pockets which gives you even more storage options and versatility on the bank.

100% Polyester



TACKLE & ACCESSORY BAG

P0130062 **£99.99***
H39 W68 D30cm

The ultimate storage solution for anglers that carry lots of tackle to the bank and is perfect for storing all of our extensive OffBox and InBox accessories.

100% Polyester





LARGE EVA NET BAG

P0130077 **£59.99***
H66 W60 D25cm

The ideal size for storing multiple keepnets and other items of tackle. The extra thick EVA material has been thoroughly tested in order to get the bag as durable and user friendly as possible. Also features handle grips and extra tough zips. Perfect for storing keepnets, side trays, landing nets, riddles, etc.

100% EVA



ROUND COOL BAG

P0130076 **£24.99***
H22 W27 D27cm

The perfect bag for storing any bait that you need on your session, including maggots and worms. The round shape makes it the perfect width to fit into our buckets which will save space. Includes a neoprene handle.

100% Polyester



ROD BANDS

P0130075

Perfect for storing ready made rods. These neoprene straps simply wrap around each end of your rod and strap together with velcro straps. The larger band of the two has an external pocket which has been designed to store ready made feeders safely, without the risk of breaking rod tips/eyes.

100% Polyester



HARD CASE

REEL CASE

P0130072 **£14.99***
H10 W20 D16cm

The perfect storage solution for your treasured and expensive reels. Reels can often get damaged in transit, but one easy and quick way of protecting them is to use the Supera Reel Case.

100% Polyester



ROLLER & ROOST BAG

P0130063 **£69.99***
H25 W100 D35cm

The perfect size to house some of the largest pole rollers on the market. The height has been tested thoroughly and we ultimately developed the perfect size to comfortably fit multiple pole rollers and other accessories. The external pocket has been designed to store smaller OffBox or InBox items.

100% Polyester



Includes
3x Bait Tubs **H8 W12 D12cm** &
1x Bait Tub **H8 W39 D12cm**

EVA SYSTEM

P0130094 **£44.99***
H10.5 W41 D27cm

The ideal addition for any angler that prefers to fish without an umbrella. This system incorporates a clear PVC lid which allows you to keep any bait safe from the elements while also allowing you to see its contents clearly. The EVA system comes supplied as standard with three one-pint and one three-pint bait tubs, this allows the system to house a multitude of baits or alternatively a number of terminal accessories such as feeders. As an added bonus the Supera EVA System has been designed to fit perfectly into the base of the Inception seatbox range, ideal for keeping any accessories organised in the base.

100% EVA



SUPERA XS EVA ACCESSORY CASES

P0130098 **£16.99***
H9 W12 D12cm

Ideal for a wide range of small accessories from CAD Pots to ICS feeders.

- Constructed from high quality 0.8mm EVA
- Stiff rim to keep its shape
- Clear PVC lid so you can easily identify the bags contents
- Small and stackable creating a neat and organised tackle bag

2 per pack



SMALL EVA ACCESSORY CASE

P0130078 **£12.99***
H10.5 W20.5 D10.5cm

Ideal for small hooklength cases as well as a wide range of smaller accessories from CAD pots to ICS Feeders.

- Constructed from high quality 0.8mm EVA
- Stiff rim to keep its shape
- Clear PVC lid so you can easily identify the bags contents

100% EVA



MEDIUM EVA ACCESSORY CASE

P0130079 **£14.99***
H11 W19 D19cm

Great all-round accessory case for feeders, pots of bait, wagglers and pole pots, etc. Being square they fit into many items of luggage and stack creating a nice system. Comes complete with carry handle.

- Constructed from high quality 0.8mm EVA
- Stiff rim to keep its shape
- Clear PVC lid so you can easily identify the bags contents

100% EVA



LARGE EVA ACCESSORY CASE

P0130080 **£19.99***
H11 W39 D15cm

The perfect hooklength case storage system. Will hold combinations of 4" up to 12" boxes, helping to keep everything in one place. Also ideal for other larger accessories and can be stored in the base compartment of Inception seatboxes. Comes complete with carry handle.

- Constructed from high quality 0.8mm EVA
- Stiff rim to keep its shape
- Clear PVC lid so you can easily identify the bags contents

100% EVA

EVA BOWLS

P0130083 3 Litre **H10.5 W18 D18cm**

P0130084 5 Litre **H10.5 W23 D23cm £12.99***

Two fantastic sized ultra-strong EVA bowls which are perfect for a wide variety of uses. The 3L version is the ideal size for storing smaller quantities of bait such as pellets, maggot and casters. The larger 5L bowl is the perfect choice when larger quantities of bait are required or for storing large amounts of groundbait. The 5L version is an ideal when feeder fishing as the larger area allows you to scoop up the desired bait fast and efficiently.

The bowls stack inside each other thanks to the small taper on the sides, making them extremely user friendly and easy to transport when using multiple bowls.

100% EVA



PELLET WETTER

P0130081 **£16.99***

H10.5 W18 D18cm

Allows you to regulate the amount of time pellets are soaked for, creating the perfect feed pellets every time! Effective with any size of pellet.

- Constructed from high quality 0.8mm EVA
 - Stiff rim to keep its shape
 - High quality mesh bag

100% EVA

DROP BUCKET

P0130082 **£14.99***

H24 W19 D18cm

A must have accessory for any angler, the Drop Bucket allows you to retrieve water fast and effectively without the need to bend down near the edge of the bank. The Drop Bucket is also ideal for any bank which is situated high off the water as the bucket is supplied as standard with a 5 metre cord allowing you to collect water safely from the bank.

- Stiff rim to keep its shape
- Long cord and winder for storage

100% EVA



Competition Luggage

The Competition Luggage range offers high quality at an affordable price. The varied range includes Hardcase Rod Holdalls, Pole Holdalls and a variety of bags to carry smaller items and nets. Finished in an eye catching grey and black combination, the Competition Luggage uses premium zips and components to create a luggage range that's stylish, affordable and practical.



6 & 8 TUBE HOLDALLS

P0130085 6 Tube **£59.99*** H190 W17 D15cm
 P0130086 8 Tube **£64.99*** H192 W24 D16cm

The Competition range features two holdalls which are suitable for pole fishing, a six tube and eight tube version. These holdalls incorporate an external pocket and Velcro retaining straps, perfect for housing Pole Tubes and other longer items such as brollies and landing net handles. Each holdall incorporates an area of reinforcement on the base, this makes them extremely hard wearing and practical for any bankside use. As with all the Competition range the holdall has extremely hard-wearing zips and carry handles which mean these holdalls are extremely robust and durable.

- Hard wearing durable material
- Extra thick waterproof base
 - Padded inner lining
 - Adjustable internal straps
- Padded shoulder strap and carry handle
 - Durable branded zips

100% Polyester



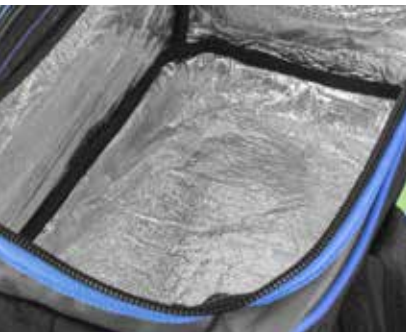
2 & 4 ROD HOLDALLS

P0130087 2 Rod **£64.99*** H191 W17 D20cm
 P0130088 4 Rod **£89.99*** H191 W21 D22cm

Two extremely robust Rod Holdalls which are perfect for storing made up rods. Each holdall incorporates a hard outer shell which is then covered with the durable Competition material making these holdalls the perfect addition for any angler. Available in 2 and 4 rod versions, each holdall has internal Velcro straps, perfect for securing rods. Both versions have built in butt holders which are staggered, this prevents any reels from clashing and getting damaged during transport.

- Hard wearing durable material
- Extra thick waterproof base
 - Internal rod straps
- Internal rod butt pouch to stagger reels
- Padded shoulder strap and carry handle
- Hardcase material for optimum rod and reel protection
- Durable branded zips

100% Polyester



BAIT BAG

P0130091 **£44.99***

H24 W39 D26cm

The ideal sized Bait Bag which includes a thermal lined inner, perfect for storing fresh bait such as maggots and casters. The Bait Bag also features an external front pocket which offers extra storage for items such as catapults or bait tub lids. Featuring super strong zips and carry straps the Competition Bait Bag is extremely durable and hard wearing, ideal for use on and off the bank.

- Hard wearing durable material
- Thick moulded EVA base
- Thermal insulated lining
- Padded shoulder strap and carry handle
- Durable branded zips

100% Polyester



LARGE BAIT BAG

P0130100 **£49.99***

H33 W58 D28cm

The Competition Large Bait Bag is perfect for the angler who likes to take a good selection of baits to the bank, the thermal lining will help to keep the bait in top condition all day while a multitude of smaller items, bait dips, Band'ums, etc. can be kept in the spacious front and side pocket.

- Hard wearing durable material
- Thermal insulated lining
- Two useful pockets
- Padded shoulder strap and carry handle
- Durable branded zips

100% Polyester



ROLLER & ROOST BAG

P0130099 **£54.99***

H30 W90 D25cm

Large enough to house two Super XL Pro Flat Rollers as well as other OffBox accessories, the Competition Roller & Roost Bag is a must have item of luggage for any pole angler.

- Hard wearing durable material
- Extra thick waterproof base
- Padded shoulder strap and carry handle
- Durable branded zips

100% Polyester



CARRYALL

P0130089 **£54.99***
H52 W40 D35cm

A perfectly sized carryall for the modern-day angler, the Competition Carryall has a 45L capacity which is ideal for storing a wide variety of items. As with all items in the Competition range the Carryall incorporates extremely hard-wearing zips and carry handles, it also features a reinforced base all of which makes this Carryall extremely hard wearing and durable. The Carryall is extremely practical and includes a number of external pockets including a larger outer pocket on the front, which is perfect for storing side trays and nets, the small two external side pockets are ideal for small accessories.

- Hard wearing durable material
- Extra thick waterproof base
- Padded shoulder strap and carry handle
- Durable branded zips

100% Polyester



DOUBLE NET BAG

P0130090 **£49.99***
H60 W55 D19cm

The ideal choice for the angler who doesn't require any more than two keepnets, the Double Net Bag is manufactured from a fully waterproof inner lining making leaks a thing of the past. The Competition Double Net Bag has a front external pocket which is perfect for storing a side tray or landing net.

- Welded waterproof inner lining
- Hard wearing durable material
- Extra thick waterproof base
- Padded shoulder strap and carry handle
- Durable branded zips

100% Polyester



EVA NET BAG

P0130095 **£49.99***
H60 W55 D19cm

The ideal choice for the angler that requires three keepnets, the EVA Net Bag is spacious and practical making it ideal for the modern-day angler. Manufactured using an extremely strong and durable EVA which means it is 100% waterproof, perfect for storing wet nets. The EVA Net Bag includes a super strong carry strap and two extremely strong handles.

- Constructed from durable 0.8mm EVA
- Shoulder strap and carry handle
- Two keepnets plus landing net capacity

100% EVA



REEL CASE

P0130092 **£14.99***
H9 W19 D19cm

The perfect item of luggage designed specifically to protect reels from damage. The Competition Reel Case incorporates an internal padded area with dividers, perfect for storing a single reel and two spools.

- Hard wearing durable material
- Internal dividers for spare spools
- Padded inner lining
- Durable branded zips

100% Polyester



BAIT BOWL SET

P0130093 **£16.99***

Small H11 W28 D28cm / Large H13 W35 D35cm

Two collapsible bait bowls designed specifically for storing groundbait or large quantities of pellets, these bowls are practical and extremely robust. Supplied as a pair the small and large bait bowls allow you to mix your groundbait easily and effectively.

- Easy to pack away and store
- Hard wearing durable material

100% Polyester



Nets

Our comprehensive range of landing nets and keepnets utilise top quality materials which provide the nets with both durability and longevity. Our products are built to last and withstand the wear and tear of modern day fishing demands on both natural and commercial venues. We're always looking for new innovative ways to help you perform at your best and to keep you one step ahead on the bank.



MONSTER X LANDING NET HANDLES

P0230008 2.5m **£34.99*** / P0230009 3m **£39.99*** / P0230010 Telescopic 3m **£39.99***

A superb range of immensely strong landing net handles designed to cope with the demands of commercial water fishing. The Monster X Landing Net Handles feature glued and pinned threads to ensure that they won't let you down, even when netting large fish! The 2.5m and 3m Power Handles are take apart options which are stiff and well balanced to make netting fish easy, while the 3m Tele Handle provides great performance and ease of use.



RESPONSE 4M XS

P0230001 **£134.99***

The XS handle is supplied with two threads making it the perfect handle for any occasion. At its full length of 4m its super strong and stiff, ideal for any kind of fishing. By removing the first threaded end, the handle can be used as an ultra-rigid 3m handle, perfect for commercial fishing. All are supplied with pinned threads for maximum strength and rubberised grips on the butt section. Each additional section has a textured graphic allowing you to use the handle at shorter lengths, these are also useful for undoing the sections when your hands are wet.



RESPONSE MATCH HANDLES

P0230003 3m **£74.99*** / P0230004 4m **£99.99*** / P0230005 5m **£124.99***

The match handles are slim and lightweight yet still strong making them suitable for the majority of match fishing circumstances, they are supplied in 1m increments making them extremely versatile.



RESPONSE CARP HANDLES

P0230002 2.7m **£59.99*** / P0230006 4m **£69.99***

The ultimate range of high quality landing net handles. The carp handles offer increased strength, great for big fish and bagging situations.



FREE FLOW LANDING NETS

- P0140045 16" / 40cm **£13.99***
- P0140046 18" / 45cm **£14.99***
- P0140047 20" / 50cm **£15.99***

The lightest nets we produce, these are ideal for all types of fishing but particularly for silvers and F1's where speed is essential. The lightweight mesh moves freely through the water creating virtually no drag.

QUICK DRY LANDING NETS

- P0140039 16" / 40cm **£13.99***
- P0140040 18" / 45cm **£14.99***
- P0140041 20" / 50cm **£15.99***

An extremely strong but lightweight net, the Quick Dry mesh is perfect for a wide variety of styles from silverfish through to large carp. The rim of the net features a smooth aluminum profile which helps to protect your line when the fish is in the net.



HAIR MESH LANDING NETS

- P0140035 16" / 40cm **£12.99***
- P0140036 18" / 45cm **£13.99***
- P0140037 20" / 50cm **£14.99***

A versatile net that is perfect for numerous styles of fishing. Its extremely lightweight making it ideal for any style of speed fishing including F1's on commercials. The fine mesh is great when using bands or Rapid Stops, so its a very popular choice when hair rigging.

MATCH LANDING NETS

- P0140026 16" / 40cm **£13.99***
- P0140027 18" / 45cm **£14.99***
- P0140028 20" / 50cm **£15.99***

Constructed from a fine mesh base and a wide meshed side, the Match Landing Net is perfect for all F1 and silverfish fishing with normal hooks and when hair rigging. This net is extremely light weight so ideal when used in conjunction with a long handle.

LATEX MATCH LANDING NETS

- P0140029 16" / 40cm **£15.99***
- P0140030 18" / 45cm **£16.99***
- P0140031 20" / 50cm **£17.99***

Similar in design to the normal Match Landing Net, this one is made from ultra-durable latex material. It's the perfect net when fishing for larger fish or when using barbed hooks which are less likely to get caught in the mesh.



LATEX HAIR MESH LANDING NETS

P0140013 16" / 40cm **£15.99***
 P0140014 18" / 45cm **£16.99***
 P0140015 20" / 50cm **£17.99***

Constructed from a lightweight but very strong frame, the Latex Hair Mesh Landing Net is perfect for all hair rigging requirements. The fine mesh means that bait bands and rapid stops won't pass through the mesh.



LATEX CARP LANDING NETS

P0140032 18" / 45cm **£15.99***
 P0140033 20" / 50cm **£16.99***
 P0140034 22" / 55cm **£17.99***

Available in 18-22" this net is large enough for any match sized carp. The wider mesh is great for scooping through water as well as being very strong. The latex mesh also makes these landing nets dry extremely fast, perfect for storing in a net bag.



SUPALITE NYLON LANDING NETS

P0140023 18" (45cm) / P0140024 20" (50cm)
£15.99*

The Supalite Nylon Landing Nets are extremely lightweight as the name suggests and ideal when fishing at speed. The nylon mesh flows through the water easily making it effortless to use even on long 5m handles.

★★ **EUROPE ONLY** ★★



SPACE SAVER KEEPNETS

NEW P0140038 2m **£44.99***
 P0140016 2.5m **£49.99***
 P0140017 3m **£54.99***

- Innovative reversed top ring allows you to fit more keepnets in front of your seatbox
- Tried and tested Fix Angle locking system
- Available in Quick Dry Mesh (3m) and Carp Mesh (2m & 2.5m)

CARP MESH KEEPNETS

NEW P0140048 2m **£44.99***
 P0140018 2.5m **£49.99***
 P0140019 3m **£54.99***
 P0140020 4m **£59.99***

- Available in 2m, 2.5m, 3m and 4m
- Extra strong carp friendly mesh
- Tried and tested Fix Angle locking system

QUICK DRY KEEPNETS

P0140021 2.5m **£54.99***
 P0140022 3.5m **£59.99***
 P0140025 4m **£64.99***

- Available in 2.5m, 3.5m and 4m
- Strong Quick Dry mesh, suitable for commercials and rivers, dries very quickly
- Tried and tested Fix Angle locking system

SPACE MAKER MULTI 60 BROLLYP0180003 **£99.99***

- Waterproof taped seams
- Lightweight fibreglass arms
- Dual angle tilt
- Pegging points (pegs supplied)
- Storage sleeve
- Extra long / extra strong pole
- 60" size

60" / 150cm

100% Polyester

**SPACE MAKER MULTI 50 BROLLY**P0180002 **£94.99***

- Waterproof taped seams
- Lightweight fibreglass arms
- Dual angle tilt
- Pegging points (pegs supplied)
- Storage sleeve
- Extra long
- Extra strong pole
- 50" Size

50" / 125cm

100% Polyester

**COMPETITION PRO 50" BROLLY**P0180004 **£79.99***

- Waterproof taped seams
- Super strong steel frame
- Pegging points (pegs supplied)
- Storage sleeve
- Extra long
- Extra strong pole
- 50" Size

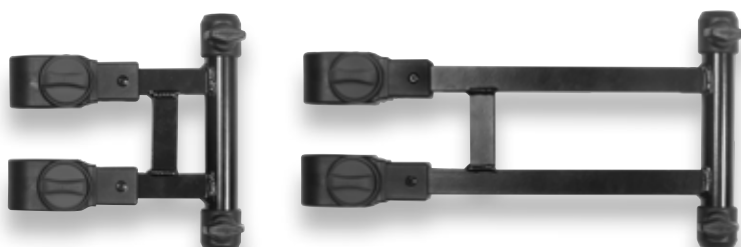
50" / 125cm

100% Polyester

**BROLLY ACCESSORIES****MEGA BROLLY ARMS**P0110015 Short 16cm **£22.99***P0110014 Long 34cm **£24.99***

With twin knuckles for ultimate stability, they secure the umbrella to the seatbox and can be rotated to the desired position for optimum coverage.

Inserts supplied: 30mm round, 25mm round & 23mm square





Elastication & Pole Accessories

Our comprehensive range of elastics just got bigger! The introduction of Dura Slip Hybrid Elastic has been simply ground-breaking. This durable, stretchy solid elastic has been a huge hit among many anglers and its clear to see why. The price point of this elastic makes it extremely affordable and the durable nature of the product makes it long lasting.

As with previous years the Dura Hollo, Hollo and original Slip Elastic remain in our range along with a comprehensive and affordable range of Connectors and Bungs.



DURA SLIP HYBRID ELASTIC

P0020070 Size 5 Purple / P0020071 Size 7 Blue / P0020072 Size 9 Pink / P0020073 Size 11 Green
P0020074 Size 13 White / P0020075 Size 15 Red / P0020076 Size 17 Yellow / P0020077 Size 19 Orange

Available in 8 sizes, Dura Slip Hybrid Elastic combines power, durability and stretch to create the perfect solid elastic for a wide range of species including F1's and carp. The elastic has been pre-coated with slip oil increasing its performance and further enhancing its durability. Perfect for high catch rate venues where traditional solid elastics may fail.

- Pre-coated with slip oil for durability and performance
- Available in 8 popular sizes
- High stretch factor

3m



SLIP ELASTIC

EL02 2 (0.67mm) / EL03 3 (0.75mm) / EL04 4 (0.85mm) / EL05 5 (0.91mm) / EL06 6 (1.06mm)
EL08 8 (1.25mm) / EL10 10 Extra (1.40mm) / EL12 12 Extra (1.60mm)
EL14 14 Extra (1.80mm) / EL16 16 Extra (2.00mm)

Pre-treated with Preston Slip Lubricant to give outstanding abrasion resistance and reliability it is available in 5 metre lengths from ultra fine size 2 up to a powerful 16.

5m



HOLLO ELASTIC

HEL07 7 Light Blue (1.7mm) / HEL09 9 Blue (1.9mm) / HEL11 11 Red (2.1mm) / HEL13 13 Green (2.3mm)
 HEL15 15 Dark Blue (2.5mm) / HEL17 17 Yellow (2.7mm) / HEL19 19 Purple (2.9mm) **£11.99***

Using the highest quality materials and made to the strictest quality standards, results in trouble-free, consistent performance. The ratings correspond to normal elastic ratings, so a 13 rating is between 12 and 14 normal elastic strength. Due to a special manufacturing process, injecting lubricant inside the elastic is not required.

3m



DURA HOLLO ELASTIC

HELD08 8 Dark Blue (1.8mm) / HELD10 10 Green (2.0mm) / HELD12 12 Purple (2.2mm) / HELD14 14 Blue (2.4mm)
 HELD16 16 Yellow (2.6mm) / HELD18 18 Black (2.8mm) **£14.99***

Manufactured to exacting standards using an upgraded core material, Dura Holo Elastic boasts increased wear resistance which is ideal for warmer conditions and offers super smooth performance in a range of six sizes to suit a wide variety of fishing situations.

3m

ELASTIC ACCESSORIES



RIG HOOK UPS

P0020078

Provided in two sizes, the Rig Hook Ups can be positioned anywhere along your top kit and allow you to hold your rig in place where the elastic is under minimal tension, in turn helping to prolong the life of your pole elastic. Particularly useful when leaving rigs on top kits between sessions to save time setting up in matches or pleasure sessions.

8 per pack



HOLLO ELASTIC PROTECTORS

PHEP/01 Sizes 9, 11 & 13
 P0020021 Sizes 15, 17 & 19

For avoiding damage to elastic when folded away. Colour-coded to match our Holo Elastic.

6 per pack

DIAMOND EYE ELASTIC THREADER

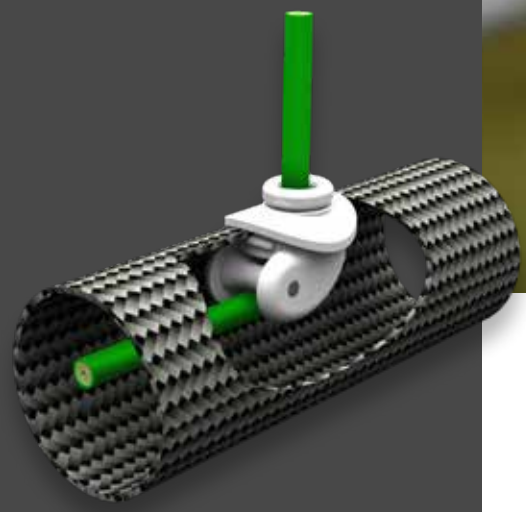
P0020041

Designed with a diamond shaped eye that grips the elastic. Available in extra long (2.1m) for long top twos.



Roller Revolution

Side pulla bushes are an essential tool in modern day fishing, they allow you to use lighter elastics, thinner lines and smaller hooks but still have the control when you ship back to your top kit. The Roller Pulla system takes side pulla bushes to a whole new level, featuring an innovative design that enables the elastic to roll freely against the PTFE bush, without running the risk of the elastic fraying and damaging over time. This design not only improves elastic performance and smoothness it notably aids elastic longevity too, resulting in a more reliable and efficient set up.



ROLLER PULLA BUSH
P0220012

Has many advantages to your elastic performance and elastic longevity. The bush is available separately and used in conjunction with the Roller Drilla Kit. It gives you the option to fit the Roller Pulla Bush into your top kit and utilise the benefits of this innovative system.

We do recommend that you seek professional fitting that is available from many tackle shops or pole repairers.



ROLLER DRILLA KIT
P0020065

Contains the right size tools to allow the easy installation of the Roller Pulla Kit into any reinforced top kit. Full instructions overleaf show just how simply you can upgrade your top kits to Roller Pulla Kits.



PULLA BUNG SPARE BEADS
P0020003

Replacement beads for Pulla Kits and Pulla Bungs.
10 per pack



STORA BUNGS & EXTRACTORS

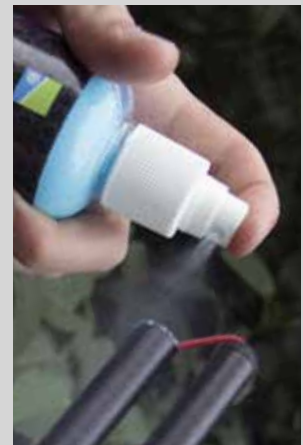
- BUNG10 Stora Bungs Maxi x2 / BUNG11 Stora Bungs Midi x2
- BUNG12 Stora Bung x1 & Extractor Maxi x1
- BUNG13 Stora Bung x1 & Extractor Midi x1

Midi Stora Bungs are designed to fit most number 2 sections whilst the Maxi Stora Bungs fit most number 3 sections or power number 2 kits. Both can be easily cut back to suit different diameter top kit sections. Each lightweight bung features a winder that holds spare elastic making adjustment of elastic tension quick and easy.

MEGA STORA BUNG

- HBUNG01 Mega Stora Bung x2
- HBUNG02 Mega Stora Bung & Extractor

Designed to be used with Hollo elastics or heavy solid elastic, the Mega Stora Bung features a large winder which allows adjustments to be made by simply removing the bung and winding elastic on, or off, the bung winder. Manufactured from lightweight plastic, the Mega Stora Bung can be easily cut to fit most top kits by following score lines around the coned part.



SLIP LUBRICANT 14ML

SLUB14

The thin liquid adheres to the elastic to form an ultra fine film that ensures smooth elastic performance.



DURA SLIP ELASTIC LUBRICANT 250ML

P0020057

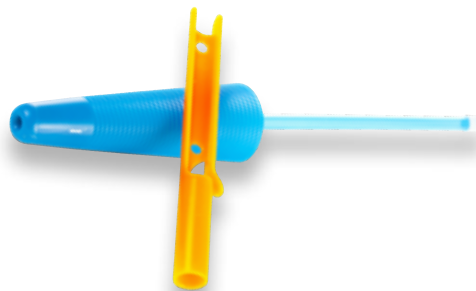
A silicone based liquid that helps your elastic run smoothly through your top sections.



PULLA BUNG

BUNG15

Manufactured from lightweight plastic, this enables you to adjust the tension of your elastic after breaking down to the top kit. It gives you the versatility to use lighter elastics which can be tightened when playing a bonus fish. This means you don't need to play and net big carp on top 5s or 6s, resulting in better control, faster netting and less pole breakages.



STORA PULLA BUNG SYSTEM

BUNG17

All the advantages of a Pulla Bung whilst still being able to adjust the tension of your elastic without having to re-tie.



EXTERNAL PTFE BUSHES

P0020004 1.4mm / P0020005 1.7mm / P0020006 2.0mm / P0020007 2.3mm
 P0020008 2.6mm / P0020009 2.9mm / P0020010 3.2mm / P0020011 3.5mm
 P0020012 3.8mm

The bushes are shaped to allow elastics to flow freely while there is a size in the range to suit all elastics from the lightest in the Slip range through to the heaviest Hollo.

INTERNAL PTFE BUSHES

P0020046 1.5mm / P0020047 1.8mm / P0020048 2.2mm / P0020049 2.8mm
 P0020050 3.2mm / P0020051 3.7mm / P0020052 4.0mm / P0020053 4.4mm
 P0020054 4.8mm

Constructed from high quality PTFE, the bushes are shaped to allow elastic to flow freely from the end of the pole section.



SLIP CARP CONNECTORS

BCONBKS Black / BCONGS Green / BCONOS Orange
 BCONPS Purple / BCONRS Red / BCONYS Yellow

Slip Carp Connectors are supplied as standard with two sleeves, each with different sized holes, to ensure a perfect fit with the elastic being used.



SLIP CARP CONNECTORS EXTRA

CXCONBS Blue / CXCONGS Green / CXCONOS Orange / CXCONRS Red
 CXCONYS Yellow

Having an almost fluorescent colour making them highly visible when playing fish, the Carp Connector Extra are ultra strong and suitable for all strong elastics.



SLIP HOLLO CONNECTORS

P0020014 Blue / HCONGS Green
 P0020013 Orange / HCONYS Yellow

Made from ultra strong moulded plastic, these large connectors are designed for all hollow and large size solid elastics. A snap fit on the sliding collar ensures security.



SLIP MICRO CONNECTORS

MCONBKS Black / MCONGS Green
 MCONOS Orange / MCONPS Purple
 MCONRS Red / MCONYS Yellow

Manufactured to micro tolerances to ensure a perfect secure fit, the Slip Micro Connectors are suitable for elastics up to a grade 8. Supplied with two sleeves, each with a different size of hole to ensure a perfect fit no matter what grade of elastic is being used.



Des Shipp COMMERCIAL CARP POLE FLOAT RANGE

PS00000

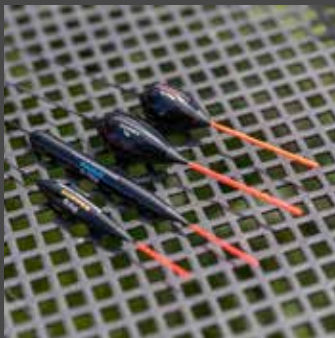
Floats

The introduction of the Des Shipp Commercial Slims range of Pole Floats saw a new standard set in design, strength and durability. What we were able to achieve with this pole float range was simply outstanding, however we are constantly pushing the boundaries with product development and when we decided to introduce the Commercial Carp range, we knew these had to be on another level.

The whole of this range is based around strength and durability to cope with the demands of commercial fisheries. An array of patterns cover a variety of applications making the Des Shipp range of pole float the most comprehensive range we have ever done.

Our variety of running line floats cover everything from commercial carp fishing to running water with the Dura Wagglers and Dura Pellet Wagglers ideal for both situations.

STON
ATIONS



- 148 // DES SHIPP'S COMMERCIAL CARP FLOATS
- 150 // DES SHIPP'S COMMERCIAL SLIM FLOATS
- 152 // NATURAL
- 154 // DES SHIPP'S COMMERCIAL SLIM POLE RIGS
- 156 // WAGGLERS

POLE FLOAT ACCESSORIES



BRISTLE GREASE

BGRS

Fluorescent coloured pole tip grease that can be applied to fine pole tips to help them sit correctly.



JIGGER FLOAT KITS

PJK/01 4-6mm / PJK/02 8-10mm

The jigger float has a hollow centre which allows you to lift and drop (jig) the bait up and down to find where fish want to feed. Featuring an adjustable depth range and a positive bite registration.

2 per pack



POLE FLOAT SILICONE

SIL/0.2 0.2mm / SIL/0.3 0.3mm
SIL/0.5 0.5mm / SIL/0.7 0.7mm
SIL/1.0 1.0mm

High quality, easy to use silicone, pre-cut into 15 strips.



SILICONE DISPENSER

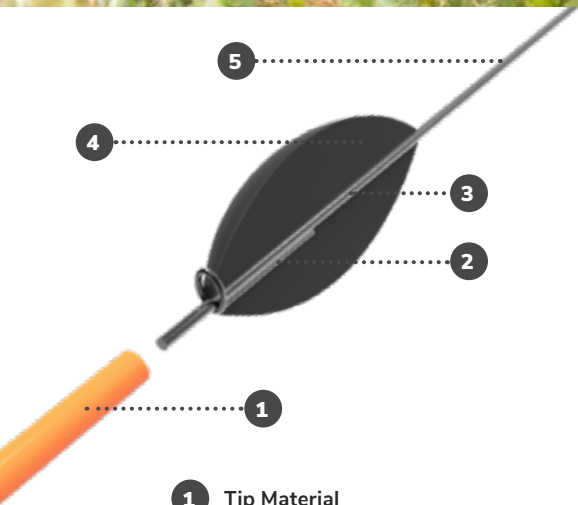
SILD

A selection of high quality silicone in five popular sizes specifically designed for attaching pole floats when making rigs. Pre-cut in 40mm lengths.



Des Shipp's Commercial Carp Pole Floats

The Des Shipp Commercial Carp range of pole floats are constructed from a high grade of Rohacell foam, creating durable and accurate floats that don't take on any water throughout the session. All patterns feature the brand-new dura side eye except the Dibber which features a super strong line-through design. The dura side eye is fitted over the top of the stem, this creates the strongest side eye available which is also lightweight resulting in the perfect combination of balance and performance.



- 1** Tip Material
Hollow Plastic Bristle
- 2** Dura Side Eye
- 3** Glued Tip
5mm on to stem
- 4** Rohacell Foam Body
- 5** Stem Material
Carbon, glass or NiTi Wire

F1 SHALLOW

P0090070 4x8 / P0090071 4x10
P0090072 4x12

As the name suggests, this float is perfect for fishing for F1's and carp with smaller baits like 4mm pellets, casters, maggots and worms. It has a visible 1.5mm bristle and a carbon stem allowing your bait to fall slowly through the water. The dura side eye makes this float extremely robust and suitable for fishing in the most demanding situations.

Tip Diameter: 1.5mm
Tip Material : Hollow Plastic
Body Material: Rohacell
Stem Material: Carbon

**CARP SHALLOW**

P0090073 4x10 / P0090074 4x12
P0090075 4x14 / P0090076 4x16

Suitable for fishing in shallow water up to islands, in the margins and shallow in open water, the Carp Shallow is a true all-rounder. It features a 2mm hollow bristle which is really visible, making it ideal for bigger 6mm pellets, meat and corn. Constructed with the dura side eye and line through design, ideal for heavy lines and big fish!

Tip Diameter: 2.0mm
Tip Material : Hollow Plastic
Body Material: Rohacell
Stem Material: Fibreglass

**EDGE**

P0090081 4x12 / P0090082 4x14
P0090083 4x16

An out and out margin float, the Edge features a buoyant 2.5mm hollow bristle, dura side eye and inline design making it incredibly robust and suitable for the largest baits and fish. The rugby ball shaped body offers minimal resistance while the fibreglass stem adds stability and is extremely durable.

Tip Diameter: 2.5mm
Tip Material : Hollow Plastic
Body Material: Rohacell
Stem Material: Fibreglass

**DIAMOND**

P0090077 4x12 / P0090078 4x14
P0090079 4x16 / P0090080 4x18

The Diamond is a classic float design and perfect for fishing both long and short on the pole with substantial baits such as meat, corn and pellets. This pattern features both a dura side eye and line through design, making it practically indestructible. The larger sizes are ideal for deeper water up to around 8 foot.

Tip Diameter: 2.0mm
Tip Material : Hollow Plastic
Body Material: Rohacell
Stem Material: Fibreglass

**DIBBER**

P0090084 4x10 / P0090085 4x12
P0090086 4x14

Ideal for fishing in shallow water, the Dibber is constructed using a NiTi wire stem which helps the float to settle quickly, ensuring that you don't miss out on any bites. It features a line through design and a nice buoyant tip, suitable for fishing with a wide range of baits from casters through to meat and pellets.

Tip Diameter: 4.0-5.0mm
Tip Material : Rohacell
Body Material: Rohacell
Stem Material: NiTi Wire

**PASTE**

P0090087 1 / P0090088 2 / P0090089 3

The Paste floats feature a long 2mm hollow bristle with an eye on the top, allowing you to keep direct control of the rig at all times. The fibreglass stem and dura side eye ensures that they are ultra-durable.

Tip Diameter: 2.0mm
Tip Material : Hollow Plastic
Body Material: Rohacell
Stem Material: Fibreglass



Des Shipp's Commercial Slim Floats

The Des Shipp's Commercial Slim Pole Float range are constructed from a high grade of Rohacell foam, creating a durable and accurate float that doesn't take on any water throughout the session. Four of the patterns include a dura side eye which super strong thanks to the way it is built. The dura eye is fitted over the top of the stem, this creates the strongest side eye available which is also lightweight, resulting in the perfect combination of balance and performance.

There is a slim float for every occasion with bristles between 1.2mm and 2.0mm as well as carbon and durable NiTi wire stems. The legendary Chianti completes the range with its cane bristle and traditional side eye.



CHIANTI

P0090048 4x10 / P0090049 4x12
P0090050 4x14 / P0090051 4x16

Fitted with an elongated side eye which is glued twice into the foam body, to ensure maximum strength. The entire Des Shipp Commercial Pole Float range has been hand finished to Des Shipp's exacting standards, resulting in an incredibly diverse and high performing float range.

Already a hugely popular pattern the Chianti is an all-round float suitable for a range of baits and situations, its slim profile and cane tip make it perfect for fishing through the water with strung out shotting patterns.

Tip Diameter: 1.0mm to 1.7mm
Tip Material: Cane
Body Material: Rohacell Foam
Stem Material: Carbon



All floats are constructed using a tough, aerospace grade, Rohacell foam body for maximum durability whilst the tips and stems have been hand-picked by the England International himself to optimise the intended use of each float.



CARP PELLET

P0090064 4x10 / P0090065 4x12
P0090066 4x14 / P0090067 4x16

The Carp Pellet is the ultimate float for the warmer months due to the 2mm hollow bristle and NiTi wire stem. This float is ideal for larger baits such as big expanders, corn or hard pellets, it also helps in distinguishing bites from line bites. The NiTi wire also offers extreme stability while remaining extremely strong and durable, it also allows the float to settle straight away.

*Tip Diameter: 2mm
Tip Material: Hollow Plastic
Body Material: Rohacell Foam
Stem Material: NiTi Wire*



F1 FINE

P0090060 4x10 / P0090061 4x12
P0090062 4x14 / P0090063 4x16

The F1 Fine is the perfect choice for those hard winter days where bites are at a premium. The 1.2mm bristle is super sensitive thanks to its thin diameter, it also glows in low light conditions thanks to the hollow profile. Although this pattern has been developed for F1's it's also perfect for silverfish thanks to the slim profile and carbon stem.

*Tip Diameter: 1.2mm
Tip Material: Hollow Plastic
Body Material: Rohacell Foam
Stem Material: Carbon*



F1 MAGGOT

P0090052 4x10 / P0090053 4x12
P0090054 4x14 / P0090055 4x16

The F1 Maggot float has been developed to cover a wide variety of baits, the carbon stem and 1.5mm hollow bristle offer the perfect compromise as they allow you to fish 'through the water' or 'on the bottom'. The slim profile of the body offers little resistance and the hollow tip shows up the most sensitive of bites.

*Tip Diameter: 1.5mm
Tip Material: Hollow Plastic
Body Material: Rohacell Foam
Stem Material: Carbon*



F1 PELLET

P0090056 4x10 / P0090057 4x12
P0090058 4x14 / P0090059 4x16

The F1 Pellet has been developed specifically for fishing on the bottom with baits such as pellets, corn and small pieces of meat. The NiTi wire stem allows the float to settle instantly meaning you are fishing straight away, it also provides the float with extra stability, perfect for windy conditions.

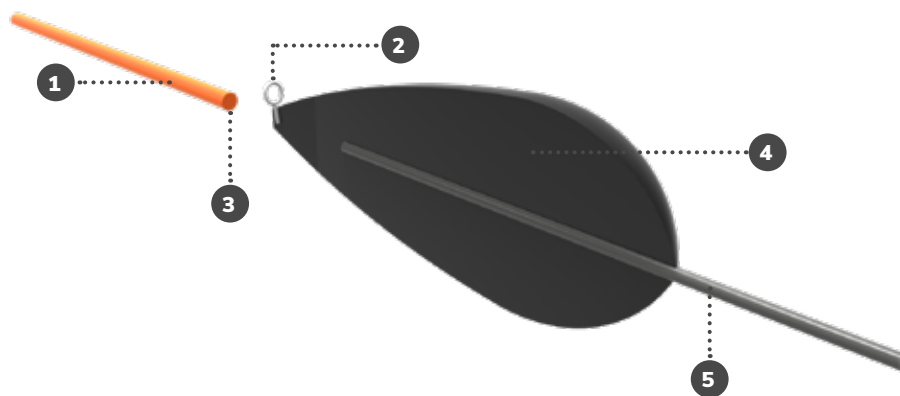
*Tip Diameter: 1.5mm
Tip Material: Hollow Plastic
Body Material: Rohacell Foam
Stem Material: NiTi Wire*





Natural Pole Floats

The Natural Pole Float range are built to last, they are all made from premium components chosen carefully by consultants across the UK and Europe. All floats feature a NiTi wire stem which helps the float to settle nice and quickly but are incredibly durable, important when catching lots of fish!



- 1 Tip Material**
Hollow plastic or Fibre bristle
- 2 Glued Side Eye**
- 3 Glued Tip 5mm into the body**
- 4 Balsa Body**
- 5 Stem Material**
NiTi Wire



SHIPPER

P0090094 0.15g / P0090095 0.25g
 P0090096 0.4g / P0090097 0.5g
 P0090098 0.75g / P0090099 1g

The Shipper has a slim profile and is perfect for catching large numbers of small fish on small baits from bloodworm through to pinkies and maggots. Featuring a solid fibre bristle and NiTi stem, each float is proportioned perfectly and is incredibly sensitive.

*Tip Material : Fibre
 Body Material: Balsa
 Stem Material: NiTi Wire*



PAULO

P0090100 0.25g / P0090101 0.4g
 P0090102 0.5g / P0090103 0.75g
 P0090104 1g / P0090105 1.25g
 P0090106 1.5g / P0090107 2g

Classic pencil shape which is great on still or very slow-moving water. Extremely popular on the continent this is a brilliant pattern for fishing for large number of small fish on baits like bloodworm and pinkies.

*Tip Material : Fibre
 Body Material: Balsa
 Stem Material: NiTi Wire*



KERRY

P0090108 0.5g / P0090109 0.75g
 P0090110 1g / P0090111 1.25g
 P0090112 1.5g / P0090113 2g
 P0090114 2.5g / P0090115 3g
 P0090116 4g

The Kerry is a classic bodied pattern with a fibre bristle and NiTi stem, ideal for presenting baits in deeper water. These can be fished on still or moving water and with sizes up to 4g cover the majority of options on natural venues.

*Tip Material : Fibre
 Body Material: Balsa
 Stem Material: NiTi Wire*



POWER

P0090117 0.5g / P0090118 0.75g
 P0090119 1g / P0090120 1.25g
 P0090121 1.5g / P0090122 2g
 P0090123 2.5g / P0090124 3g
 P0090125 4g

As the name suggests, the Power is perfect for fishing bigger baits with its hollow bristle and inline body, combined with the NiTi stem and sizes up to 4g. Brilliant for positive fishing on deep venues with larger baits like maggots and worms.

*Tip Material : Hollow Plastic
 Body Material: Balsa
 Stem Material: NiTi Wire*

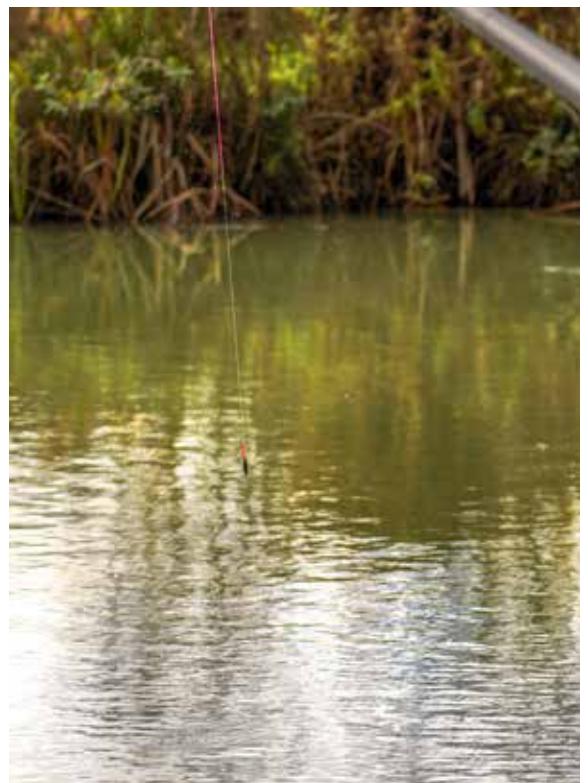




Des Shipp's Commercial Slims Pole Rigs

Constructed from the very finest components and based on rigs tied by our own consultants, the Des Shipp's Commercial Slims Pole Rigs are perfect for use on all commercial fisheries.

The floats feature the new dura side eye which makes them far stronger than any float with a standard side eye, without altering the balance. Reflo Power is used for all mainlines and hooklengths while our popular GPM-B hooks are the perfect all-round hook that can be used for a wide variety of baits. Stotz are used on all of the rigs in a shotting pattern to suit the intended style of fishing.





F1 MAGGOT POLE RIGS

P0100021 4x10 / P0100022 4x12
P0100023 4x14 / P0100024 4x16

The F1 Maggot float has a visible 1.5mm hollow bristle with a carbon stem, this allows you to fish on the drop with the Stotz positioned to be effectively fishing through the last 18" of water. The size 16 hook is ideal for maggots, casters, worms and all smaller baits.



F1 PELLETT POLE RIGS

P0100025 4x10 / P0100026 4x12
P0100027 4x14 / P0100028 4x16

The F1 Pellet float has a medium 1.5mm hollow bristle and flexible NiTi wire stem. It is perfectly suited to all F1 fishing and carp in cooler months while using 2-6mm pellet hookbaits which match to the size 16 hook. Corn can also effectively be used on this rig, or maggots if you want to get the bait down quickly.



CARP PELLETT POLE RIGS

P0100029 4x10 / P0100030 4x12
P0100031 4x14 / P0100032 4x16

The Carp Pellet float has a 2.0mm hollow bristle and a flexible NiTi wire stem, perfect for fishing with pellets. The strung bulk shotting pattern helps register bites that would normally not be seen. A size 14 hook finishes the rig which is ideal for pellets between 4mm and 8mm as well as meat and corn hookbaits.



F1 FINE POLE RIGS

P0100042 4x10 / P0100043 4x12
P0100044 4x14 / P0100045 4x16

The F1 Fine float has a 1.2mm hollow bristle and a carbon stem, perfect for fishing with maggots, casters, pinkies and any other smaller baits. The bulk with droppers shotting gives a nice slow fall of the bait through the bottom part of the swim. A size 18 hook finishes the rig which is ideal for maggots, pinkies, casters and 4mm expander pellets.

	HOOK SIZE	RIG LENGTH	HOOKLENGTH	BREAKING STRAIN
F1 Maggot	16 GPM-B	3m	0.13mm	4lb 12oz / 2.136kg
F1 Pellet	16 GPM-B	3m	0.13mm	4lb 12oz / 2.136kg
Carp Pellet	14 GPM-B	3m	0.15mm	5lb 14oz / 2.683kg
F1 Fine	18 SFL-B	3m	0.11mm	3lb 6oz / 1.521kg



PRECISION PELLET WAGGLERS

P0210001 2g / P0210002 3g / P0210003 4g
P0210004 5g P0210005 6g

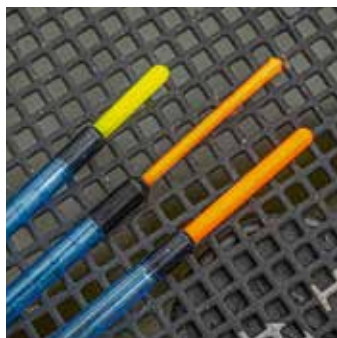
As the name suggests the Precision Pellet Wagglers fly like an arrow exactly where you cast them, making the smaller sizes perfect for 'mugging' large wary carp. They also 'sit' as soon as they hit the water, without diving at all which is a common problem when fishing really shallow. The design incorporates a 10mm diameter Balsa pellet waggler with an extremely bright and visible tip, perfect for fishing in poor light conditions and at range with the larger sizes. The key to them being so effective is the loading which sits in the perfect position, right up against the float. This prevents any wobble during casting and makes them the perfect 'ready to fish' pellet waggler.



**STRAIGHT DURA WAG
FIXED LOADING**

DWS/1 1+0.5g / DWS/1.5 1.5+0.5g
DWS/2 2+0.5g / DWS/3 3+0.5g
DWS/4 4+0.5g

This Loaded Straight Wagglers is ideal for a whole host of fishing situations, from catching carp in summer or fishing for shy-biting roach and bream in winter.



**INSERT DURA WAG
FIXED LOADING**

DWSI/1 1+0.5g / DWSI/1.5 1.5+0.5g
DWSI/2 2+0.5g / DWSI/3 3+0.5g
DWSI/4 4+0.5g

The Loaded Insert Wagglers is perfect for those days when the fish are being finicky. The hi-glow insert tip is visible from long distances.

**STRAIGHT DURA WAG
ADJUSTABLE LOADING**

DWSA/2 2g / DWSA/2.5 2.5g
DWSA/3 3g / DWSA/4 4g
DWSA/5 5g

This Adjustable Straight Wagglers is ideal for a whole host of fishing situations. The adjustable weights allow you to fine-tune the waggler to suit your fishing style, and enable use with locking shot or Preston Pellet Wagglers Float Stop Kit.

**INSERT DURA WAG
ADJUSTABLE LOADING**

DWSAI/2 2g / DWSAI/2.5 2.5g
DWSAI/3 3g / DWSAI/4 4g
DWSAI/5 5g

The Adjustable Insert Wagglers comes with add-on weights that you can use to fine-tune this super sensitive float. Also comes with an ultra-stable carbon stemmed tip for help in choppy conditions. Enables use with locking shot or Preston Pellet Wagglers Float Stop Kit.



INSERT DURA PELLET WAGGLER 10MM SLIM

DPW10SLI/4 4g / DPW10SLI/6 6g / DPW10SLI/8 8g

Fitted with a thin plastic insert these wagglers are ideal for those situations where you need to strike at bites. The removable plastic disk helps to stop the float diving on the cast meaning you are fishing as soon as the float hits rather than waiting for it to come back up.



DURA PELLET WAGGLER 10MM SLIM

DPW10SL/4 4g / DPW10SL/6 6g / DPW10SL/8 8g

A more sensitive pellet waggler suitable for days when the buoyancy of a thicker float will result in missed bites. They are supplied with three interchangeable tips to combat changing light conditions and are supplied with two interchangeable splash disks which help to stop the floats diving.



DURA PELLET WAGGLER 13MM STANDARD

DPW13ST/4 4g / DPW13ST/6 6g / DPW13ST/8 8g / DPW13ST/10 10g

The thickest of our straight pellet wagglers. They are supplied with three interchangeable tips to combat changing light conditions and are supplied with two interchangeable splash disks which help to stop the floats diving.

WAGGLER FLOAT ACCESSORIES



WAGGLER ADAPTORS

P0220114

The soft plastic Waggler Adaptor is designed for attaching loaded floats without the need for shot.

5 per pack



BIG FLOAT WAGGLER ADAPTORS

P0220115

Designed for use with loaded splasher wagglers where locking shot aren't required. This version has a metal stem and copes well with repeated casting.

5 per pack



STICK FLOAT SILICONE TUBING

P0220059

High performance fine diameter silicone tube for thicker bristles and stems.



Line

Having a top quality reliable line is essential in your fishing, and our broad range of lines provide you with exactly that, total confidence!

We work with some of the world's leading fishing line manufacturers to produce the best line possible that's up to the job and won't let you down.

From our famous Reflo Power to the new Sinking Feeder Mono we have a line to meet any situation and venue you're faced with.



ACCU POWER

A super high-tech line manufactured from an extremely durable monofilament. Accu Power is true to its name with every diameter being accurate to its stated size making it the ideal choice for rigs and hook lengths. Available from size 0.07 - 0.22 there is a diameter in this range to cover every discipline, whether it be commercial carp fishing or silver fish fishing.

P0270022	0.07mm	1lb 2oz	0.50kg
P0270023	0.08mm	1lb 4oz	0.58kg
P0270024	0.09mm	1lb 9oz	0.74kg
P0270025	0.10mm	2lb 3oz	0.98kg
P0270026	0.11mm	2lb 10oz	1.18kg
P0270027	0.12mm	3lb 4oz	1.46kg

P0270028	0.14mm	4lb 4oz	1.92kg
P0270029	0.16mm	5lb 6oz	2.40kg
P0270030	0.18mm	6lb 6oz	2.88kg
P0270031	0.20mm	7lb 14oz	3.57kg
P0270032	0.22mm	9lb 14oz	4.48kg



REFLO POWER

0.06-0.21mm / 0.24-0.26mm

Reflo Power is exceptionally strong, supple and clear. Designed with built-in stretch also makes it an excellent line for pole rigs. It's a tough line that knots well and can withstand the battering it gets when catching large weights. Reflo Power has quickly become the first choice hooklength for top match anglers. As a testament to its performance and reliability, even after being in the market place for over 10 years, it's still the best selling line.

P0270003	0.06mm	12oz	0.374kg
P0270004	0.07mm	1lb	0.434kg
P0270005	0.08mm	1lb 12oz	0.812kg
P0270006	0.09mm	2lb 2oz	0.967kg
P0270007	0.10mm	2lb 10oz	1.205kg
P0270008	0.11mm	3lb 6oz	1.521kg
P0270009	0.13mm	4lb 12oz	2.136kg

P0270010	0.15mm	5lb 14oz	2.683kg
P0270011	0.17mm	6lb 12oz	3.088kg
P0270012	0.19mm	7lb 6oz	3.355kg
P0270013	0.21mm	8lb 15oz	4.062kg
P0270014	0.24mm	11lb	5kg
P0270015	0.26mm	12lb 5oz	5.7kg



REFLO FLUOROCARBON

Reflo Fluorocarbon is virtually invisible in water making it the perfect choice for clear water conditions. Boasting improved stiffness over traditional mono which makes it ideal for feeder and pole hooklengths, especially in fine diameters which are often prone to tangling. Made from 100% fluorocarbon. Available in 9 diameters from 0.08mm to 0.22mm to cover everything from roach fishing on canals through to bomb fishing for big carp on commercials. Supplied on a 50m spool.

PFL/08	0.08mm	1.13lb	0.512kg
PFL/09	0.09mm	1.67lb	0.759kg
PFL/10	0.10mm	2.15lb	0.979kg
PFL/12	0.12mm	2.41lb	1.095kg
PFL/14	0.14mm	3.16lb	1.437kg

PFL/16	0.16mm	3.83lb	1.741kg
PFL/18	0.18mm	5.31lb	2.407kg
PFL/20	0.20mm	6.26lb	3.003kg
PFL/22	0.22mm	7.58lb	3.442kg







REFLO SINKING FEEDER MONO

The Reflo Sinking Feeder Mono is an extremely strong but supple feeder fishing line that is ideal for all kinds of feeder fishing, from roach and skimmers in the smaller diameters right through to heavy duty method feeder fishing for large match sized carp. The neutral green colour is the optimum colour which aids camouflage in a variety of water and light conditions. It's a super-fast sinking reel line that is extra strong for its diameter. After months of developing this line, it really is the ultimate feeder fishing line.

PSFM/16	0.16mm	3lb	1.36kg
PSFM/18	0.18mm	4lb	1.81kg
PSFM/20	0.20mm	5lb	2.27kg

PSFM/23	0.23mm	6lb	2.72kg
PSFM/26	0.26mm	8lb	3.63kg
PSFM/28	0.28mm	10lb	4.54kg



REFLO ABSOLUTE FEEDER BRAID

£24.99*

Designed specifically for feeder fishing, Reflo Feeder Braid is constructed from an 8 strand PE material, making it incredibly smooth and durable with a really high knot strength. The PE fibres are manufactured with a special treatment which helps the braid to sink which also gives it the perfect blend of suppleness and stiffness, leading to effortless casting and tangle free performance. The ultimate in feeder fishing braids.

P0280003	0.08mm	13.2lb	6.00kg
P0280001	0.10mm	15.8lb	7.20kg
P0280002	0.12mm	18.5lb	8.40kg



REFLO FLOAT MAX

A neutrally buoyant reel line perfect for all float fishing applications from stick float fishing on small rivers through to distance pellet waggler fishing on large waters. Low diameter for the breaking strain with incredible knot strength and high abrasion resistance make Float Max the perfect choice for all float fishing. Available in 6 breaking strains on 150m spools.

P0270035	0.16mm	3lb	1.36kg
P0270036	0.18mm	4lb	1.81kg
P0270037	0.20mm	5lb	2.27kg

P0270038	0.23mm	6lb	2.72kg
P0270039	0.26mm	8lb	3.63kg
P0270040	0.28mm	10lb	4.54kg





Hooks

One of the most important items of tackle in your fishing is hook choice and we understand that in order to perform at your best you need durability, reliability, sharpness and strength. We spend countless hours with our angling consultants and suppliers, working on new patterns and always aim to utilise the highest quality materials to make the best hook we possibly can.

Our extremely diverse and extensive range of barbed and barbless patterns provide you with both confidence and versatility on the bank.



COMMERCIAL PTFE

**GPM-B EYED**P0150012 12 / P0150013 14
P0150014 16 / P0150015 18

An all-round wide gape hook pattern that is perfect for a wide array of commercial fishing situations. Purposely designed for pole and feeder fishing. Especially when fishing shallow on the pole, or waggler. They're ideal for baits like pellets, casters, worms, pretty much any bait that you would need to use on a commercial fishery.

*10 per pack***GPM-B SPADE END**P0150007 12 / P0150008 14
P0150009 16 / P0150010 18
P0150011 20

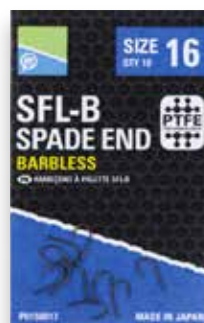
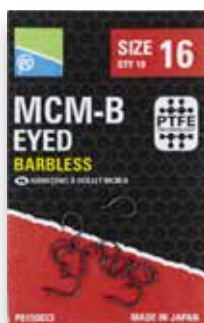
An all-round wide gape hook pattern that is perfect for a wide array of commercial fishing situations. Purposely designed for pole fishing, but they can also be used on the waggler and feeder if required. They're ideal for baits like pellets, meat, maggots, worms, pretty much any bait that you would need to use on a commercial fishery.

*10 per pack***KKH EYED BARBED**P0150087 8 / P0150088 10
P0150089 12 / P0150090 14
P0150091 Size 16

The KKH is the ultimate hair rigging hook for big fish. This super strong pattern features a PTFE coating for durability and anti-glare. An out turned eye, beaked point and micro barb enable the KKH Barbed to have a phenomenal hook hold. Ideal for use on both the feeder and waggler with a variety of baits.

*10 per pack***KKH-B EYED**P0150082 10 / P0150083 12
P0150084 14 / P0150085 16
P0150086 18

The KKH-B is a super strong version of the KKH-B and offers all of the key features associated with the KKH-B but with a thicker and forged wire for added strength and security. Ideal for use on both the feeder and waggler with a variety of baits.

10 per pack**KKM-B EYED**P0150001 10 / P0150002 12
P0150003 14 / P0150004 16
P0150005 18 / P0150006 20

The KKM hooks are the ultimate hair rigging hook. The KKM features a PTFE coating for durability and anti-glare. The out turned eye is a stand out feature, this creates a unique angle which maximises hook hold and increases hooking capability. Perfect for both feeder and waggler fishing and suited for a wide range of baits; pellets, meat, Band'Ums, corn, etc.

*10 per pack***MCM-B EYED**P0150093 8 / P0150094 10
P0150021 12 / P0150022 14
P0150023 16 / P0150024 18

Perfect for commercial bagging, featuring a circle design to help eliminate fish loss. The PTFE coating significantly aids hook durability and anti-glare which ultimately helps you catch more fish.

*10 per pack***SFL-B SPADE END**P0150016 14 / P0150017 16
P0150018 18 / P0150019 20
P0150020 22

Features a slightly thinner wire gauge than the GPM-B Spade End that makes it perfect for both commercial and natural venue silverfish. This hook can also be used to target F1's and smaller carp in the colder months.

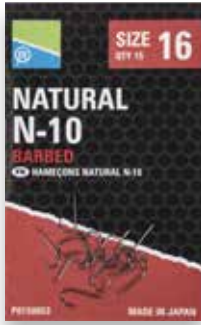
*10 per pack***XSH-B SPADE END**P0150025 10 / P0150026 12
P0150027 14 / P0150028 16
P0150029 18

The ultimate, mega strong commercial pole bagging hook. The super strong offset point reduces hook pulls and gives you more chance of landing big carp. Ideal for pellets, meat and worms, basically any bait you can target big hungry carp these hooks can handle.

10 per pack



NATURAL SERIES BARBED

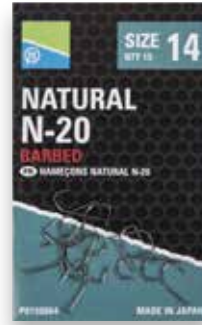


NATURAL N-10

P0150055 12 / P0150054 14 / P0150053 16
P0150052 18 / P0150051 20 / P0150050 22

Features a rounded gape and a longer shank making it the perfect pole and running line hook choice. The longer shank makes the N-10 perfect for smaller species like roach, perch and skimmers. Suited ideally to smaller baits, like maggots, bloodworm, pinkies, casters, etc.

15 per pack



NATURAL N-20

P0150066 10 / P0150065 12 / P0150064 14
P0150063 16 / P0150062 18

The perfect feeder bagging hook. The wide gape and straight point makes it perfect for baits like maggots, corn and worm. The gape on the N-20 suits species like roach, hybrids, bream and skimmers both on the pole and feeder. However, the thicker wire will cope with any bonus fish you're likely to hook.

15 per pack



NATURAL N-30

P0150071 10 / P0150070 12 / P0150069 14
P0150068 16 / P0150067 18

Features a medium wire gauge and lends itself to a wide array of uses, on the pole, running line and feeder. The shape and wire thickness is perfect for fishing with baits like worms, maggots and corn. We found in development that hooks with a similar shape weren't strong enough, this is why we've slightly increased the thickness of the wire and reinforced key stress areas.

15 per pack

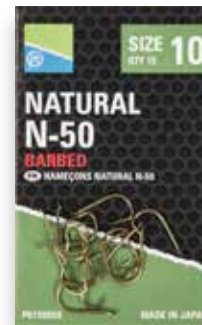


NATURAL N-40

P0150076 12 / P0150075 14 / P0150074 16
P0150073 18 / P0150072 20

Ideal for a wide range of pole fishing situations. The thinner wire and wide gape makes it the perfect shape for baits like worms, maggots, casters, pinkies. This hook is an out and out small silverfish pattern that has been designed for species like roach, skimmers, perch and bream. Features a super sharp point for increased efficiency and a subtle optimum nickel black finish.

15 per pack



NATURAL N-50

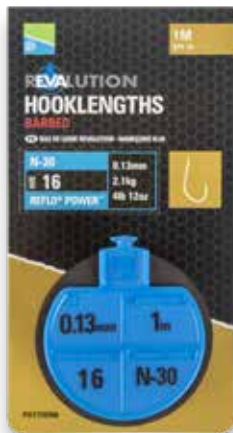
P0150061 6 / P0150060 8 / P0150059 10
P0150058 12 / P0150057 14 / P0150056 16
P0150077 18

The heaviest hook in our Natural series. This thick wire gauge hook is perfectly suited to tackling big powerful fish, featuring an oversized spade and extra tough barb. This hook is ideal for baits like worms, casters, corn, maggots and even meat. It's ideal for bagging sessions on a feeder and landing big bonus fish on a pole.

15 per pack

Revalution Hooklengths

A range of high-quality hook lengths specifically designed for feeder fishing. Each spool has 10 1m long rigs that can be simply unwound and attached to your mainline. The next rig can then be secured in place using the rotating pin on the spool, eliminating the need for any independent pins. High quality Natural N Series hooks have been used tied to tried and tested Reflo Power. The rigs can be stored in the Revalution Storage System, perfect for keeping all your rigs in order and away from the damp and direct sunlight.



N-20 REVALUTION RIG

P0170029 12 / P0170030 14
P0170031 16 / P0170032 18

N-20 Hooks are great for all round Skimmer and Bream fishing with baits from maggots through to pieces of worm.

N-30 REVALUTION RIG

P0170005 12 / P0170006 14
P0170007 16 / P0170008 18

The N-30 hooks are a great all-rounder thanks to their medium gauge wire, perfect for a wide variety of baits and species. The N-30 is also razor sharp with a micro barb. These hooks are ultra-reliable and fill you full of confidence.

N-50 REVALUTION RIG

P0170009 10 / P0170010 12
P0170011 14 / P0170012 16

The N-50 is the ideal choice when catching large volumes of fish or when targeting hard fighting fish such as carp and barbel. The heavier gauge wire gives you ultimate confidence when larger fish are hooked, perfect for rivers or large natural lakes.

12	0.13mm	4lb 12oz	2.1kg
14	0.13mm	4lb 12oz	2.1kg
16	0.11mm	3lb 6oz	1.5kg
18	0.11mm	3lb 6oz	1.5kg

12	0.15mm	5lb 14oz	2.6kg
14	0.15mm	5lb 14oz	2.6kg
16	0.13mm	4lb 12oz	2.1kg
18	0.13mm	4lb 12oz	2.1kg

10	0.17mm	6lb 12oz	3.0kg
12	0.17mm	6lb 12oz	3.0kg
14	0.15mm	5lb 14oz	2.6kg
16	0.13mm	4lb 12oz	2.1kg



Mag Store System Hair Rigs & Hooklengths

Taking hooklength design to the next level. The Ready Rigs are constructed from the highest quality materials, and tied to precise specifications to create rigs suitable for all anglers. The fully loaded Rig Stick can be taken straight out of the packaging and placed into the correct sized Mag Store System Box. Each pack contains 8 hand tied rigs which are stored on the rig stick, hook size along with line diameter and breaking strain can be easily identified by the attached sticker.



KKM-B

BANDED HAIR RIGS

4"/10cm P0160001 12 / P0160002 14
P0160003 16 / P0160004 18
15"/38cm P0160005 12 / P0160006 14
P0160007 16 / P0160008 18

KKM-B Hooks are used on each rig, tied to the tried and tested Reflo Power Line. A Bait Band completes the rig, making them suitable for hair rigging a multitude of baits.

8 per pack



KKM-B

RAPID STOP HAIR RIGS

4"/10cm P0160009 12 / P0160010 14
P0160011 16 / P0160012 18
15"/38cm P0160013 12 / P0160014 14
P0160015 16 / P0160016 18

KKM-B Hooks are used on each rig, tied to the tried and tested Reflo Power Line. A Rapid Stop completes the rig, making them suitable for hair rigging a multitude of baits.

8 per pack



MCM-B HAIR RIGS

4"/10cm BANDED P0160019 12 / P0160020 14
P0160021 16
4"/10cm BAYONET P0160022 12 / P0160023 14
P0160024 16

MCM-B hooks are used on each rig, tied to the tried and tested Reflo Power line. The banded rigs can be used for pellets and Band'ums while the bayonet rigs are ideal for boilie and Band'um hookbaits.

8 per pack

12	0.19mm	7lb 6oz	3.335kg
14	0.19mm	7lb 6oz	3.335kg
16	0.17mm	6lb 12oz	3.088kg
18	0.17mm	6lb 12oz	3.088kg

12	0.19mm	7lb 6oz	3.335kg
14	0.19mm	7lb 6oz	3.335kg
16	0.17mm	6lb 12oz	3.088kg
18	0.17mm	6lb 12oz	3.088kg

BANDED & BAYONET

12	0.19mm	7lb 6oz	3.34kg
14	0.19mm	7lb 6oz	3.34kg
16	0.17mm	5lb 12oz	3.09kg



NATURAL N-10 HOOKLENGTHS BARBED

6"/15cm P0170021 14 / P0170022 16
P0170023 18 / P0170024 20

Natural N-10 hooks are used on the rigs along with Reflo Accu Power mono to create accurate and reliable rigs for use with many baits including squatts, pinkies, maggots, worms and casters.

8 per pack

14	0.12mm	3lb 4oz	1.46kg
16	0.10mm	2lb 3oz	0.98kg
18	0.09mm	1lb 9oz	0.74kg
20	0.08mm	1lb 4oz	0.58kg



NATURAL N-20 HOOKLENGTHS BARBED

6"/15cm P0170025 12 / P0170026 14
P0170027 16 / P0170028 18

Natural N-20 hooks are used on the rigs along with Reflo Accu Power mono to create accurate and reliable rigs for use with many baits including pinkies, maggots, worms and casters.

8 per pack

12	0.14mm	4lb 4oz	1.92kg
14	0.12mm	3lb 4oz	1.46kg
16	0.11mm	2lb 10oz	1.18kg
18	0.10mm	2lb 3oz	0.98kg



KKH-B HAIR RIGS

4"/10cm BAYONET P0160025 10 / P0160026 12
P0160027 14 / P0160028 16
4"/10cm BANDED P0160029 10 / P0160030 12
P0160031 14 / P0160032 16

KKH-B hooks are used on each rig, tied to the tried and tested Reflo Power line. The Banded rigs can be used for Pellets and Bandums while the Bayonet rigs are ideal for Boilie and Bandum hookbaits.

8 per pack

10	0.24mm	11lb	5kg
12	0.21mm	8lb 15oz	4.06kg
14	0.21mm	8lb 15oz	4.06kg
16	0.19mm	7lb 6oz	3.36kg



GPM-B SPADE END HOOKLENGTHS

6"/15cm P0170001 12 / P0170002 14
P0170003 16 / P0170004 18

GPM-B Hooks are used on each rig, tied to the tried and tested Reflo Power Line. The rigs are suitable for a multitude of baits from maggots and small pellets through to meat, corn and big worm baits.

8 per pack

12	0.15mm	5lb 14oz	2.683kg
14	0.15mm	5lb 14oz	2.683kg
16	0.13mm	4lb 12oz	2.136kg
18	0.11mm	3lb 6oz	1.521kg



SFL-B SPADE END HOOKLENGTHS

6"/15cm P0170017 14 / P0170018 16
P0170019 18 / P0170020 20

SFL-B hooks are used on each rig, tied to the tried and tested Reflo Power line. The rigs are suitable for a multitude of baits from maggots and casters to small pieces of worm and expander pellets.

8 per pack

14	0.13mm	4lb 12oz	2.14kg
16	0.11mm	3lb 6oz	1.52kg
18	0.11mm	3lb 6oz	1.52kg
20	0.10mm	2lb 10oz	1.21kg



XSH-B SPADE END HOOKLENGTHS

6"/15cm P0170013 10 / P0170014 12
P0170015 14 / P0170016 16

XSH-B hooks are used on each rig, tied to the tried and tested Reflo Power line. The rigs are suitable for a big fish when using baits like meat, corn, pellets and paste.

8 per pack

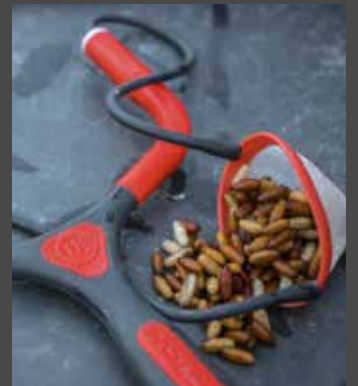
10	0.17mm	6lb 12oz	3.09kg
12	0.17mm	6lb 12oz	3.09kg
14	0.17mm	6lb 12oz	3.09kg
16	0.15mm	5lb 14oz	2.68kg





Accessories

General terminal tackle and accessories are essential to helping you perform at your best. We have a wide selection of accessories in our range, from pole float silicone through to the essential fishing items like plummets and disgorgers; we have something to suit every situation and requirement.



- 170 // FEEDERS
- 180 // SMALL ACCESSORIES
- 182 // TOOLS
- 183 // SHOT & STOTZ
- 184 // KUPS & POTS
- 185 // CATAPULTS



Feeders

Feeder fishing has never been more popular and at Preston Innovations we know how important it is to have a large selection of feeders which cover different situations, requirements and venues.

We're always looking to develop new innovative feeder designs to give you an edge on the bank and most importantly catch you more fish.

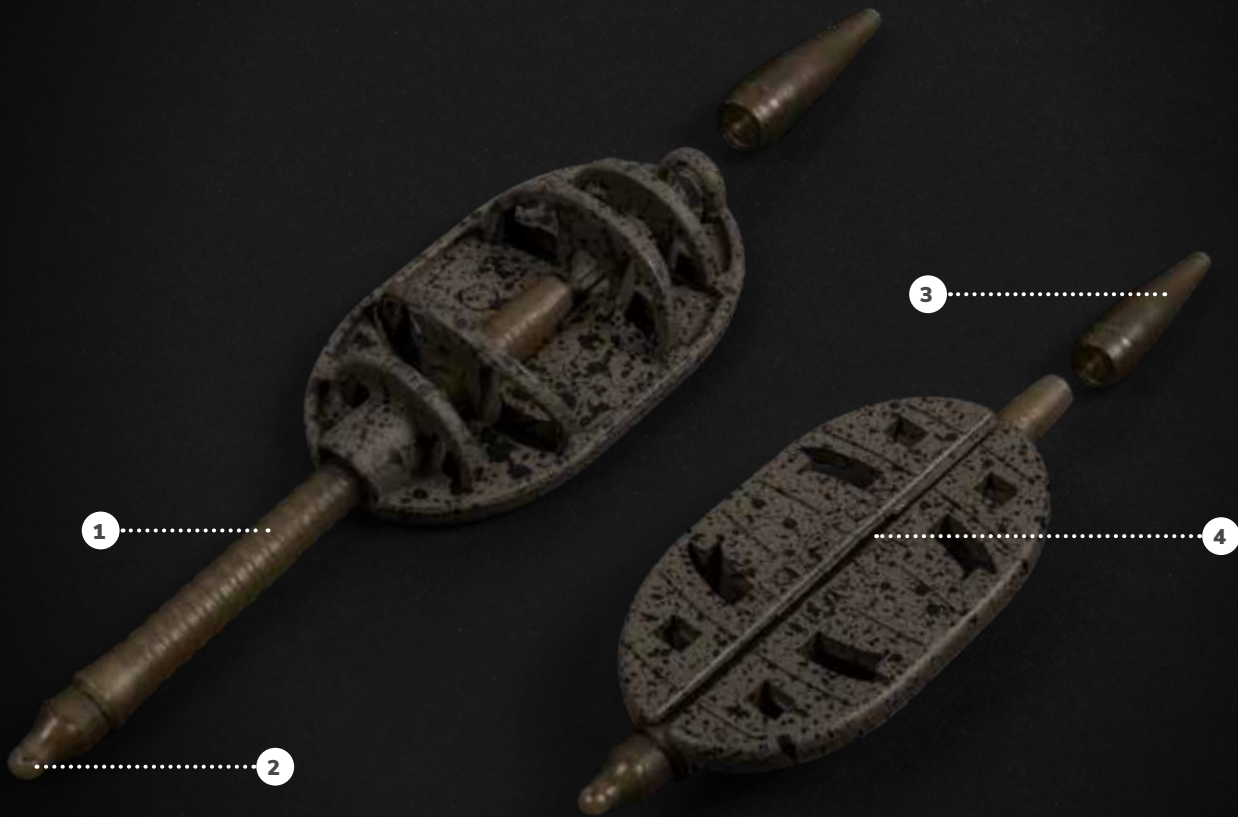
We have a vast range of both natural and commercial style feeders to cover all of your feeder fishing.



The 'Inter Change System' allows you to alternate feeder sizes and weights without disassembling the entire rig. When changing ICS product the chosen length stem stays on the line at all times and the feeder can be removed via the centrally located groove and replaced with a different size, shape or weight. The 'Inter Change System' also protects your rods when packed away, simply remove your feeder and wind in any slack line, this leaves just the stem and hooklength on your line, far easier to store in your rod bag.



The ICM 'Interchange Micro System' encompasses the same principles and benefits to our incredibly popular ICS system. This scaled down interchangeable feeder system features micro pellet, method and lead options. Primarily developed for commercial fisheries this micro system is suited perfectly to the colder months when a minimal amount of bait is essential. This concise range covers loads of different situations and will be a firm favourite with commercial anglers.



1 IN-LINE INTERCHANGEABLE STEM
Allows feeders to be quickly and efficiently swapped in seconds.

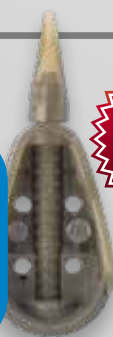
3 TAIL RUBBER
Protects and centralises your reel line for maximum performance.

2 QUICK CHANGE BEAD
Swap your hooklength in seconds with the compact Quick Change Bead.

4 INTERCHANGEABLE DESIGN
Smart slotted design allows you to change the feeder without dismantling your rig.



ICM



ICM IN-LINE BANJO XR FEEDERS

P0040096 15g / P0040097 25g

The In-Line Banjo XR Feeder is an evolution from the popular Dura Banjo feeder and is the perfect option for carp, skimmers and F1's when you want to protect your feed more than on a standard Method Feeder. The weight forward design means they can be cast accurately despite their small weights, the plastic and lead combination ensures that all of the weight can be positioned in the perfect area of the feeder for distance and accuracy.

ICM IN-LINE MAGGOT FEEDER

P0040074 12g / P0040075 20g

As with all the ICM feeders the Maggot Feeder has been designed to be used on those tough days when feeding minimal bait is required, making it the perfect F1 or silverfish feeder during the colder months. This feeder also features some key characteristics making it extremely user friendly such as a sliding loading window, forward facing lead and of course the revolutionary ICM quick change system.

ICM MATCH CUBE

P0040069 10g / P0040070 20g

Great for any bomb and pellet or straight lead fishing. The 10g version makes a very small 'plop' when entering the water, very similar to the noise of a large pellet which can help attract fish. The 20g version can be used where extra distance is required. Can be interchanged with any other ICM product making them superb when clipping up before you start fishing.



ICM PELLET FEEDER

P0040065 15g / P0040066 25g

The ICM Pellet Feeder is a micro version of the popular pellet feeder. Its small size is perfect for when smaller amounts of bait are required, while its wide profile means it will sit flat on the bottom. The micro stem means that the ICM Pellet Feeder can be interchanged with any other ICM product.



ICM METHOD FEEDER

P0040067 16g / P0040068 28g

The ICM Method Feeder is great when a small amount of bait is needed, especially when fishing in shallower water up to islands. The ICM Mould can be used to perfectly compress your bait around the feeder. The micro stem means that the ICM Method Feeder can be interchanged with any other ICM product.



ICM IN-LINE CAGE FEEDER

P0040076 12g / P0040077 20g

Ideal for short casts and when a small amount of bait is required, the ICM In-line Cage Feeders are perfect for micro pellets and groundbait particularly in the cooler months. The ICM system allows you to change feeder in seconds with any other ICM product.



ICM IN-LINE QUICK CHANGE BEADS

P0030028

Designed to fit inside any of the ICM Feeders, creating a safe in-line set up. Allows you to quickly and easily change your hooklength.

6 per pack



ICM MOULD

P0030009

The ICM Mould allows you to feed the perfect amount of bait every cast, when used in conjunction with the relevant ICS Dura Banjo Feeder or ICM Method Feeders.



ICS



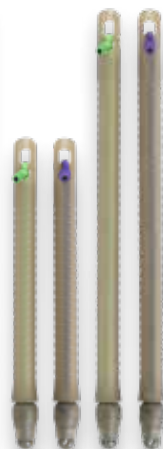
ICM SWIVEL STEM KIT

P0030030

The ICM Swivel Stem Kit will convert any ICM product from an in-line feeder to a conventional style feeder set up, with the added benefit of still being quick change.

Particularly useful with the ICM Cage feeders, ICM Match Cubes and ICM Maggot Feeders.

2 per pack



ICS ELASTICATED STEM KITS

P0030001 60mm Standard
P0030002 60mm Heavy
P0030003 85mm Standard
P0030004 85mm Heavy

Cover all commercial fishing from small F1s and skimmers through to large carp and barbel. Supplied with Quick Change Beads.

2 per pack



ICS IN-LINE STEM KITS

P0030023 85mm

Spare longer stems which can be used in conjunction with any ICS feeder or lead. The added length is perfect for situations when longer casts are required.

2 per pack



ICS SWIVEL STEM KITS

P0030021 35mm / P0030022 70mm

The ICS Swivel Stem Kit will convert any ICS product from an inline feeder to a conventional style set up, with the added benefit of still being quick change.

2 per pack



ICS QUICK CHANGE BEADS

P0030006 Small / P0030007 Large

The perfect connection between feeder and hooklength, simply open the bead by retracting the sleeve, attach your hooklength and replace the sleeve for a fast, efficient and secure solution to alternating hooklengths. Can be used with either elasticated or inline feeders.

5 per pack



IN-LINE QUICK CHANGE BEADS

P0030008

Allows you to fish a safe, semi-fixed bolt rig with the ability to quickly change your hooklength. Perfect for In-Line Banjo and Method Feeders.

6 per pack



ICS IN-LINE BANJO XR FEEDERS

SMALL - P0040087 20g / P0040088 30g / P0040089 45g
 MEDIUM - P0040090 20g / P0040091 30g / P0040092 45g / P0040101 60g
 LARGE - P0040093 30g / P0040094 45g / P0040095 60g

The In-Line Banjo XR Feeder is an evolution from the popular Dura Banjo feeder and is the perfect option for carp, skimmers and F1's when you want to protect your feed more than on a standard Method Feeder. Suitable to be used at any distance but with a weight forward design they can be fished at extreme range with ease, the plastic and lead combination ensures that all of the weight can be positioned in the perfect area of the feeder for distance and accuracy.

ICS BANJO XR MOULDS

P0030031 Small / P0030032 Medium / P0030033 Large

The Banjo XR Moulds ensure that you use the correct amount of bait every time, simply add either pellets or groundbait to the top of the mould, insert the Banjo XR feeder and then compress using the two wings situated on the side of the mould. Press the button at the bottom to release and the bait will be perfectly compressed and ready to cast out.



ICS IN-LINE SOLID PELLET FEEDERS

SMALL - P0040078 20g / P0040079 30g / P0040080 45g
 MEDIUM - P0040081 20g / P0040082 30g / P0040083 45g

The ICS In-Line Solid Pellet Feeders are available in two body sizes and are perfect for use with micro and softened 4mm pellets. The solid body helps to keep the bait in the feeder until it is on the bottom of the lake making it perfect for any depth of water, while the holes at the back allow water to slowly help the pellets release once in position.



ICS IN-LINE MAGGOT FEEDERS

SMALL - P0040057 20g / P0040058 30g
 LARGE - P0040059 20g / P0040060 30g / P0040061 45g

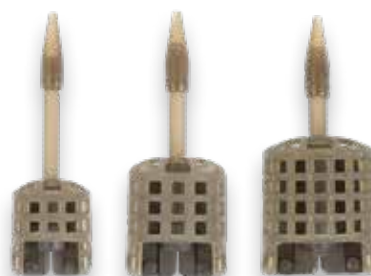
Cast exceptionally well due to the weight forward design. The loading window can be opened and closed by simply twisting the lid, making the loading process simple and easy. Plenty of holes in the feeder allows for a steady release of bait.



ICS IN-LINE CAGE FEEDERS

SMALL - P0040043 20g / P0040044 30g
 MEDIUM - P0040045 20g / P0040046 30g / P0040047 45g
 LARGE - P0040048 30g / P0040049 45g

Featuring a wide lead which improves stability, ICS In-Line Cage Feeders are perfect for all feeder fishing styles, from rivers through to marginal slopes on commercials. The streamlined profile ensures the feeders cast well and do not spin up on retrieve whilst the super strong construction means they can be used session after session.



ICS IN-LINE PELLET FEEDERS

SMALL - P0040050 20g / P0040051 30g
 MEDIUM - P0040052 20g / P0040053 30g / P0040054 45g
 LARGE - P0040055 30g / P0040056 45g

Perfect for introducing small pellets and particles into your swim. Use in conjunction with a short 10cm hooklength for maximum effectiveness. The plastic and lead combination allows the feeder to be cast accurately but more importantly, means that the feeder always lands the correct way up.



ICS IN-LINE MATCH CUBES

P0040023 15g / P0040024 20g / P0040025 30g / P0040026 45g

Cast extremely well and will hold on sloping lake beds making them perfect for casting to far bank features and islands. The inline design also promotes self-hooking as the fish dislodges the heaviest part of the lead first, leading to more fish in the net.

2 per pack



ICS IN-LINE DISTANCE METHOD FEEDERS

P0040072 45g / P0040073 60g

Designed with distance in mind, the aerodynamic shape and heavier weights allow these feeders to be cast long distances with ease. There is a shallow side wall and ribs to help hold the bait to the feeder while a nice open area has been left at the rear to position your hookbait. There is a large shield at the rear on the feeder with protects the bait while in flight and on impact with the water, making sure that you have the perfectly set trap of bait when it reaches the bottom.



ICS DISTANCE METHOD MOULD

P0030027

Use in conjunction with the ICS InLine Distance Method Feeder to produce the perfectly loaded feeder. Simply add your hookbait and feed, put the feeder into the mould, compress and then push the button to release. Can be used in conjunction with pellets and groundbait.



ICS IN-LINE DURA FLAT METHOD FEEDERS

SMALL - P0040001 20g / P0040002 30g / P0040003 45g
LARGE - P0040004 20g / P0040005 30g / P0040006 45g
XL - P0040062 30g / P0040063 45g / P0040064 60g

Redesigned with a new rib configuration, leaving the perfect sized area to place your hookbait. Simply place a small amount of groundbait or pellets in the relevant Quick Release Method Mould, place the hookbait in the middle and then fill to the top. Compress the feeder in to the bait, push the release button and you have the perfectly set trap.



QUICK RELEASE METHOD MOULDS

P0030012 Small / P0030013 Large / P0030014 XL

Perfect for pellets and groundbait. The design reduces bait sticking in the mould and the wings make it easier to compress your feeder into the bait and the large release button makes it so much easier to eject your feeder. These method moulds quickly form a perfect feeder full of ground bait or pellets every time and ensures a consistent amount of bait is on the feeder every cast.

LEADS



BULLET CUBE LEADS

P0220027 15g / P0220028 20g / P0220029 30g
P0220030 45g

The cube shaped design has been developed to target sloping lake beds and is particularly effective when casting tight to islands. The compact and dense shape also contributes to effective hooking.

2 per pack

DISTANCE BOMB LEADS

P0220031 15g / P0220032 20g / P0220033 30g
P0220034 45g

The classic 'Arlesey' bomb shape gives the lead a streamlined, weight-forward design to optimise casting distance without compromising accuracy even at extreme long range.

2 per pack

FLAT PEAR LEADS

P0220035 15g / P0220036 20g / P0220037 30g
P0220038 45g

With a sleek, flattened profile the classic pear has the ability to hold on marginal or island slopes but is equally suited to use on rivers for combating flowing water without moving your hookbait.

2 per pack

FEEDERS



IN-LINE FLAT METHOD FEEDERS

SMALL - P0040007 15g / P0040008 30g
LARGE - P0040010 15g / P0040011 30g / P0040012 45g
P0040013 60g / P0040014 80g
XL - P0040015 30g / P0040016 45g

The flat-bottomed design makes them ideal for all situations, including casting tight to the sloping banks of an island. The recess in the front of the feeder accepts a size ten swivel or a Ring Swivel, providing just enough tension to make a semi-fixed rig. Alternatively they can be used with Quick Change Beads to make a completely free-running rig.



ELASTICATED FLAT METHOD FEEDERS

LARGE - P0040017 15g / P0040018 30g / P0040019 45g / P0040020 60g
XL - P0040021 30g / P0040022 45g

Elasticated for shock absorbing fish-playing. The flat bottomed design ensures they always land the correct way up with the bait at the top of the groundbait or moulded pellet ball. The light brown/translucent colour blends in with both groundbait and the bottom.

QUICK CONE & BAIT MOULD

QCM/M Medium / QCM/L Large

Can be used in various ways, making it a must have for any match angler. The simple plunger mechanism works perfectly with either pellets or groundbait. Ideal for a more positive approach and are also perfect for creating balls of groundbait.





ABSOLUTE WINDOW FEEDERS (SOLID)

SMALL - P0050052 20g / P0050025 30g / P0050026 45g
 P0050027 60g
 MEDIUM - P0050053 30g / P0050028 45g / P0050029 60g
 LARGE - P0050124 30g / P0050030 45g / P0050031 60g
 P0050054 75g

XL - P0050121 30g / P0050112 45g / P0050113 60g / P0050114 75g

Simply add your loose feed, plug with a small amount of groundbait and cast. The 'window' in the feeder is thumb sized making the operation as simple and easy as possible while there is an internal ramp built in to the feeder to help the bait release. Small holes in the top of the feeder also help to release the bait.



ABSOLUTE WINDOW FEEDERS (CAGED)

SMALL - P0050055 20g / P0050033 30g / P0050034 45g
 / P0050035 60g
 MEDIUM - P0050056 30g / P0050036 45g / P0050037 60g
 LARGE - P0050123 30g / P0050038 45g / P0050039 60g
 P0050057 75g

XL - P0050122 30g / P0050115 45g / P0050116 XL 60g / P0050117 75g

The Absolute Window Feeder (Caged) can essentially be fished the same as a conventional meshed feeder but at extreme range. With the weight forward design, you can introduce neat groundbait further than ever before leaving a cloud through the water column, attracting fish into the peg.



CLIK CAP FEEDERS

SMALL - PCC/S15 15g / PCC/S30 30g / PCC/S45 45g
 MEDIUM - PCC/M15 15g / PCC/M30 30g / PCC/M45 45g / PCC/M60 60g
 LARGE - PCC/L30 30g / PCC/L45 45g / PCC/L60 60g

Made from durable polycarbonate and features a slotted hinge design with a strong TPE link that makes opening and closing the cap simple and efficient. There are three sizes in the range, in a variety of weights, giving a total of ten feeders which will cover every eventuality. The compact flat lead loading increases stability against islands and in flowing water, ensuring that the feeder holds in position and aids casting for pin point accuracy every cast. The traditional feeder design is versatile and perfect for baits like maggots, casters, pellets, hemp and even chopped worms.



HEXMESH PLASTIC BULLET FEEDERS

- SMALL - P0050125 20g / P0050126 30g / P0050127 40g / P0050128 50g
- MEDIUM - P0050129 20g / P0050130 30g / P0050131 40g / P0050132 50g / P0050133 60g
- LARGE - P0050134 20g / P0050135 30g / P0050136 40g / P0050137 50g / P0050138 60g

We have worked extremely hard with England Feeder Internationals Lee Kerry and Mick Vials to develop this unique bullet feeder. Unlike traditional bullet feeders which are manufactured from steel mesh, these feeders have a cleverly designed plastic mesh which offers unrivalled bait presentation. Unlike traditional metal cage feeders the Hexmesh allows you use a wider variety of baits thanks to its enclosed plastic mesh and precision placed hexagon holes. Damper groundbait mixes and baits such as chopped worms can now be used with the added advantage of the bullet feeder styling allowing you to cast further than before!



WIRE CAGE FEEDERS

- MICRO - P0050084 15g / P0050085 25g / P0050086 35g
- SMALL - P0050087 20g / P0050088 30g / P0050089 40g
- MEDIUM - P0050090 20g / P0050091 30g / P0050092 40g / P0050093 50g
- LARGE - P0050094 30g / P0050095 40g / P0050096 50g / P0050097 60g
- XL - P0050098 30g / P0050099 40g / P0050100 50g / P0050101 60g

These Wire Cage Feeders have been developed to cover all eventualities, whether on a still water or a flowing river there is a feeder in this range suitable. Manufactured from an extremely strong and durable stainless steel, these feeders have been built to withstand vigorous casting and unforgiving terrain that modern-day feeder fishing demands.



BULLET FEEDERS

- MICRO - P0050059 20g / P0050060 30g / P0050061 40g
- SMALL - P0050062 20g / P0050063 30g / P0050064 40g / P0050065 50g / P0050066 60g / P0050067 70g
- MEDIUM - P0050068 20g / P0050069 30g / P0050070 40g / P0050071 50g / P0050072 60g / P0050073 70g
- LARGE - P0050074 30g / P0050075 40g / P0050076 50g / P0050077 60g / P0050078 70g

A brand-new updated design on one of the most popular style feeders used for distance casting, the new wire cage bullet feeders have been purpose built for casting long distances. Manufactured from an ultra-tough and durable stainless-steel wire these feeders are built to withstand the constant punishment of regular casting at range. Available in four different body sizes and various weights ranging from 20g-70g there is a feeder in this range to cover every eventuality.



DISTANCE CAGE FEEDERS

- MICRO - P0050011 25g / P0050012 40g
- SMALL - P0050013 25g / P0050014 40g / P0050015 55g
- MEDIUM - P0050016 25g / P0050017 40g / P0050018 55g / P0050019 70g
- LARGE - P0050020 40g / P0050021 55g / P0050022 70g
- XL - P0050023 25g

Specifically designed for fishing at distance, the lead is bottom mounted which improves casting accuracy in crosswinds. The lead shape means that the inside of the cage is smooth all the way to the bottom of the lead. This allows the bait to release easily and also forces the feeder towards the surface on the retrieve, keeping your rig away from snags near the bottom.



CLAW FEEDERS

PGR/60 60g / PGR/70 70g / PGR/80 80g / PGR/90 90g
PGR/100 100g / PGR/110 110g / PGR/120 120g

Designed for running water, the anchors allow it to 'grip' the river bed in strong currents where it would often not be possible with a standard feeder. The double connection points allow you to fish the feeder static or by drifting the feeder through the swim at a slow pace. To fish static you mount the line to the braided loop, this offers a fixed presentation as the anchors will grip in the river bed. For slowly moving the feeder along the bottom, mount the line to the small loop in between the anchors.



WIRE BAIT UP FEEDERS

P0050118 60x45mm 28g / P0050119 70x50mm 45g

Manufactured from an ultra-strong stainless-steel mesh, these feeders will withstand the vigorous demands of being cast with a large volume of bait constantly. They also feature a mesh cover top which is perfect for feeding large volumes of particle baits and groundbait.



PLUG IT FEEDERS

SMALL - P0050004 20g / P0050005 30g / PIF/S45 45g
MEDIUM - P0050007 20g / P0050002 30g / P0050003 45g / P0050008 60g
LARGE - P0050009 30g / P0050010 45g / P0050001 60g

Combined the bait carrying characteristics of a traditional open end feeder with the quick release properties of a cage feeder. Loose feed is safely stored in the centre of the feeder for loading and casting allowing the ends to be 'plugged' with groundbait whilst still enabling water to easily penetrate and wash bait out when in position on the river or lake bed. Extremely durable with a flexible TPE link and integrated swivel to aid casting.



BAIT UP FEEDERS

SMALL - PBUF/S20 20g / PBUF/S40 40g
MEDIUM - PBUF/M40 40g
LARGE - PBUF/L30 30g

Perfect for introducing large amounts of groundbait at the start of your session or when topping up mid-session. The closed sides of the cage allow you to plug lots of loose feed in the feeder without it spilling either during the cast, or on impact with the water.



FEEDER LINK SWIVELS

P0220020

Purpose designed to be used in conjunction with the Link Swivel Sleeve, the perfect, neat quick change feeder link for many rigs.

8 per pack

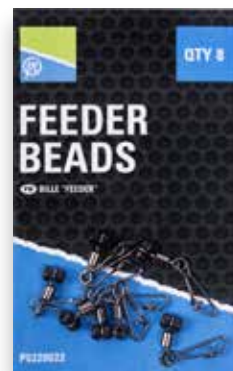


WAGGLER LINK SWIVELS

P0220021

The ideal way of attaching pellet wagglers, they enable you to change your float in seconds. The rounded snap allows the wagglers to move freely.

8 per pack



FEEDER BEADS

P0220022

The plastic bead allows the swivel to glide effortlessly on the mainline, features a quick change link swivel to allow you to quickly and easily change your feeder or lead.

8 per pack



BAYONETS

P0030029

These super strong stainless-steel Bayonets are perfect for baits such as boilies or Band'ums, simply push or screw the bayonet into the hook bait for an ultra-secure hold. Ideal for baits ranging from 6-10mm in diameter.

20 per pack



QUICK CHANGE SWIVELS

P0220015 Small / P0220016 Medium

Allows you to quickly and easily change hooklengths when both feeder and wagglers fishing, the high quality swivel helps reduce any line spin.

8 per pack



DIAMOND EYE MATCH SWIVELS

P0220017 10 / P0220018 12 / P0220019 14

The Diamond Eye Match Swivels are extremely high quality and perfect to help eliminate line spin.

20 per pack

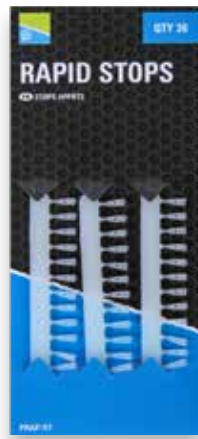


POLE WINDER ANCHORS

P0020058

Produced from high quality rubber that not only stretches well but also lasts a long time.

10 per pack



RAPID STOPS

PRAP/01

Quick and easy to use captive hairstop suitable for a wide variety of baits in many different fishing situations.

36 per pack



STOPZ

P0220116 Medium / P0220117 Large

Handy line Stopz which come supplied on wires and can be easily pulled onto your line to stop loaded wagglers or feeders. The profile of the Stopz mean that they sit straight on your line creating a streamlined rig. Pull the stops onto your line one by one to avoid damaging the wire. Available in two popular sizes.

15 per pack



LINK SWIVEL SLEEVES

P0030015

This sleeve fits securely over the Feeder Link Swivels, helping to prevent tangles and making the rig a lot neater.

8 per pack



LATEX BAIT BANDS

P0220041 Small P0220042 Medium P0220043 Large

Super strong and offering the perfect amount of stretch, these bands can be used with a multitude of baits including pellets, Band'ums and casters.

(Approx) 50 per pack



LINE PROTECTOR STOPS

P0030024

Specially designed for feeder fishing, the stop can be pulled off the wire on to your line, the tapered stop will then sit on the knot at the top of a twizzled loop, making it the ideal buffer for a Double Feeder Link Swivel. The angle of the Line Protector Stop makes your line sit at the perfect angle creating the ultimate anti-tangle set up.

6 per pack



FLOATER
PELLET BANDER

P0220040

Handy tool to easily apply Bait Bands to pellets, Band'ums and other baits. Ideal for the angler who struggles to band hookbaits. Constructed from floating plastic.



FLOATER
LOOP SIZER

P0220039

With four pre-set sizes, the loop sizer helps to create the perfect sized loop each time. Choose from 8mm, 10mm, 12mm and 15mm. Constructed from floating plastic.



FLOATER

RAPID STOP NEEDLE

P0220050

Designed to push a Rapid Stop through a variety of baits. Constructed from floating plastic.



FLOATER

PULLER NEEDLE

P0220049

Designed for use with conventional hairs with soft baits. A band can also be pulled through a hook bait. Constructed from floating plastic.



FLOATER

DISGORGER/KNOT PICKER

P0220048

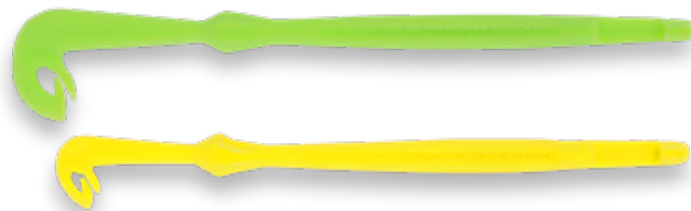
Double ended disgorger suitable for all medium and large sized coarse fish. Simply twist and a sharp knot picker is housed in the middle. Constructed from floating plastic.



RIG SCISSORS

P0220004

Extremely sharp and durable the Rig Scissors will cut through any mono or braid with ease.



LOOP TYERS

P0220009 Small / P0220010 Large

Loop tyer and disgorger comes in packs of two, supplied with full instructions.

2 per pack



DISGORGERS

P0220118 Small / P0220119 Large

Plastic disgorger with two different ends. One end has traditional slot and the other a loop end for larger hooks.

Green, red & yellow supplied



STOTZ DISPENSER

P0220088 Small 4 Way (8/9/10/11)
 P0220089 Small 6 Way (8/9/10/11/12/13) **£10.99***
 P0220024 Large 4 Way (3/4/5/6) **EU**
 P0220090 Large 6 Way (4/6/8/9/10/11) **EU £10.99***

A hybrid shot designed for use on larger diameter lines (they also work perfectly on fine diameters). The wide groove makes placing them on the line quick and easy. Another advantage is the increased surface area that grips the line.

REFILLS

STOTZ03 3 **EU** / STOTZ04 4 **EU**
 STOTZ05 5 **EU** / STOTZ06 6 **EU**
 P0220082 8 / P0220083 9
 P0220084 10 / STOTZ11 11
 STOTZ12 12 / P0220087 13



SUPER STOTZ DISPENSER

P0220091

A hybrid shot designed for use on larger diameter lines (they also work perfectly on fine diameters too). The wide groove makes placing them on the line quick and easy.

REFILLS

STOTZ/NT01 1 / STOTZ/NT04 4
 STOTZ/NT06 6 / P0220082 8



NON-TOXIC SHOT DISPENSER

P0220098 **£10.99***

Non-Toxic Shot is made from a soft dense alloy that is accurately calibrated for consistent weight. The grooves are designed to be closed with gentle finger pressure and a special recess in the top of the groove enables them to be opened easily with your fingernail.

REFILLS

NTSHOTSSG SSG
 NTSHOTAAA AAA
 NTSHOTBB BB / NTSHOT01 1
 P0220096 04 / NTSHOT06 6



SUPER SOFT SHOT DISPENSER

SSSHOTM/D Micro (9/10/11/12) **£10.99***
 SSSHOTB/D Large (SSG/AAA/BB/1/4/6) **EU £10.99***

Accurately calibrated for consistent weight, Super Soft Shot is made from 100% lead and has a well-formed, central cut groove, which makes positioning them on both large and thin diameter lines quick and easy.

REFILLS

SSSHOT/SSG SSG **EU**
 SSSHOT/AAA AAA **EU**
 SSSHOT/BB BB **EU**
 SSSHOT/01 1 **EU**
 SSSHOT/04 4 / SSSHOT/06 6 **EU**
 SSSHOT/08 8 / SSSHOT/09 9
 SSSHOT10 10 / SSSHOT/11 11
 SSSHOT/12 12

SHOT ACCESSORIES



STOTTA

P0220070

The flat end of the Stotta allows a Stotz to be selected and applied quickly and easily. The Stotta can also be used to quickly remove Stotz without damaging your line.



OLIVETTES

OL/0.2 0.2g / OL/0.3 0.3g
 OL/0.4 0.4g / OL/0.5 0.5g
 OL/1.5 1.5g / OL/2 2.0g
 OL/2.5 2.5g / OL/4 4.0g

Streamlined easily changeable olivettes complete with soft silicone tube for easy attachment.

4 per pack



PLUMMETS

P0220065 20g / P0220066 30g

The large loop makes the Preston plummets extremely easy to use, even when using a hair rigged bait band while the groove keeps your line in place and ensures that the plummet hangs straight at all times.

The plummets also feature a soft foam base which ensures your hook point is secure and will not blunt.

2 per pack



Lids supplied

SOFT CAD POTS

P0220056 Small / P0220057 Medium / P0220058 Large

Constructed from soft rubberised material that won't damage your pole, the Soft CAD Pots are perforated with additional holes in the base, this helps to counteract the vacuum that can prevent bait from releasing in conventional pots. The pots come with two lids, the standard hole lid is ideal for most baits while the hexagonal lid can be used to sprinkle in small pellets and maggots. The lids can also be removed, allowing you to use compressed micro pellets, ground bait or a worm/caster mix.



MEGA SOFT CAD POT

P0220023

The Mega Soft Pot is designed for feeding increased quantities of bait, ideal for commercial fisheries. This super-size version of the popular Soft Cad Pot shares all of the unique qualities and is made from the same lightweight rubberised material that eliminates any potential top kit damage. With an increased bore diameter, which lends itself to power kits and margin poles, the perforated design counteracts any vacuum effect which can prevent bait from releasing from a conventional pot. Ideal for a wide variety of baits including pellets, corn, hemp, groundbait and meat.



KUP SET

KUP3

Supplied in packs of two different cup sizes with brass threads. They come with two adaptors, each with a different internal diameter, 4mm and 5mm, for different diameter pole sections.





PELLETPULT

P0190001 Small 4-8mm / P0190002 Large 6-10mm **£10.99***

Pelletpults have been designed with commercial fisheries in mind, specifically for feeding pellets. The flat bottomed pouch ensures the pellets are tightly grouped when feeding and the dual PTFE bushes built into the frame maintain twist free performance. Two different sizes cover all feeding requirements from 4mm to 10mm pellets. Can also be used for conventional baits such as maggots and casters.



MATCHPULT

P0190007 Small / P0190008 Large **£10.99***

Purposely designed for natural baits like maggots, casters as well as meat or corn, it's the perfect tool for the angler who wants reliability, durability and accuracy from their catapult. The Matchpult groups bait in a much tighter area due to the semi rigid mesh pouch, which gives you pin-point accuracy for all baits and tactics. We've taken the PTFE Anti-Twist technology from the Pelletpult and adapted this to the Matchpult making it virtually impossible for the elastic to tangle. Features long-lasting amber-core durable hollow elastic.



PELLETPULT SPARE POUCHES

P0190003 Small / P0190004 Large



PELLETPULT SPARE ELASTIC

P0190005 Small / P0190006 Large



MATCHPULT SPARE POUCHES

P0190009 Small / P0190010 Large



MATCHPULT SPARE ELASTIC

P0190011 Small / P0190012 Large



PRESTON
INNOVATION

Clothing

Years of constant development and testing has gone into our different clothing ranges, aiming to fit every requirement you need for your fishing.

We're always looking to employ the latest technology and highest quality materials possible in order to provide you with the most reliable and comfortable clothing for your fishing.

JACKETS, HOODIES, TOPS	M	L	XL	XXL	XXXL
CHEST (CM)	100 - 106	112 - 118	122 - 128	132 - 138	142 - 148
CHEST (IN)	40 - 42	44 - 46	48 - 50	52 - 54	56 - 58

TROUSERS / BIB & BRACES	M	L	XL	XXL	XXXL
WAIST (CM)	76 - 80	80 - 86	90 - 96	100 - 106	114 - 120
WAIST (IN)	30 - 32	32 - 34	36 - 38	40 - 42	44 - 48
INSIDE LEG (CM)	72	74	76	77	77
INSIDE LEG (IN)	28	29	30	30	30

JACKET FEATURES

- High neck for maximum protection from the elements
- Reinforced shoulders for added comfort when carrying tackle
- Large storm flap over the waterproof zip
- Neoprene cuffs with thumb hole to keep out of water and drafts
- Waterproof hood with stiffened peak

BIB & BRACE FEATURES

- Reinforced knee and seat panels
- Large storm flap over the zip
- Wide opening legs with Velcro adjustment
- Large storm flap over the waterproof zip



DRIFISH™
PERFORMANCE FISHING CLOTHING

DFX SUIT

P0200311 M / P0200312 L / P0200313 XL / P0200314 XXL
P0200315 XXXL **£249.99***

Building on the success of previous models the DFX suit is a feature packed waterproof garment that offers comfort and practicality on the bank. Manufactured from a 20,000mm waterproof and 3000g/m2 material this suit can withstand the heaviest of downpours and the hottest of days. Both the Jacket and Bib & Brace are reinforced in key contact areas and incorporate taped seams to ensure no water can penetrate through. The DFX Jacket features high neck protection, large storm flaps, waterproof zips, neoprene cuffs and stiffened peak hood which all adds to the durability, comfort and longevity of the suit. The DFX suit has an all-new modern design with striking areas of colour while still maintaining a stylish look, perfect for the serious match angler.

100% Nylon & TPU membrane Lining 100% Polyester

**WATERPROOF**

20,000mm

BREATHABLE

3,000g/m2

WINDPROOF



JACKET FEATURES

- Ideal length for easy movement whilst seated
- High neck for maximum protection from the elements
- Reinforced sleeves and shoulder areas
- Waterproof zips on both the pockets and the main jacket zip
- Neoprene cuffs with thumb holes to protect against draughts
- Waterproof hood with a stiffened peak and adjustable toggle cord
- Three fully waterproof pockets which offer a large amount of storage

BIB & BRACE FEATURES

- Reinforced knee and seat area to prevent excessive wear
- Fully waterproof zips with pullers
- Wide opening adjustable ankle areas
- Wide adjustment shoulder straps with elasticated back for added comfort



DRIFISH™
PERFORMANCE FISHING CLOTHING



DF COMPETITION SUIT

P0200169 M / P0200170 L / P0200171 XL / P0200172 XXL
P0200173 XXXL **£159.99***

The DF Competition Suit has been manufactured to be both stylish and functional. Its lightweight, dual layer construction makes it perfect for use in warmer weather while you can layer up in winter months where its waterproof properties will keep you warm and dry.

100% Nylon Lining 100% Polyester

JACKET ONLY

P0200174 M / P0200175 L
P0200176 XL / P0200177 XXL
P0200178 XXXL **£94.99***

BIB & BRACE ONLY

P0200179 M / P0200180 L
P0200181 XL / P0200182 XXL
P0200183 XXXL **£84.99***

WATERPROOF

15,000mm

BREATHABLE

3,000g/m2

WINDPROOF

JACKET FEATURES

- Detachable wire peaked hood
- Velcro storm cuffs
- Adjustable waist
- Warm fleece lined pockets
- High collar with fleece lining

BIB & BRACE FEATURES

- Adjustable straps
- Storm sealed zip
- Reinforced knee area
- Reinforced seat pad
- Warm fleece lined pockets



DRIFISH™
PERFORMANCE FISHING CLOTHING

CELCIUS SUIT

P0200296 M / P0200297 L / P0200298 XL / P0200299 XXL
P0200300 XXXL **£149.99***

The Celcius name is synonymous with winter clothing and this suit is no different. Designed specifically to tackle the coldest of days the Celcius suit features a thermal Hollofil lining which traps warm pockets of air ensuring minimal heat is lost while still maintaining the flexibility and durability which is needed in a fishing suit. The suit comprises of a ¾ length Jacket and Bib & Brace.

100% Nylon Lining 100% Polyester



WATERPROOF

THERMAL

WINDPROOF

10,000mm



DRIFISH BOOTS

P0200326 UK7/EU41 / P0200327 UK8/EU42
 P0200328 UK9/EU43 / P0200329 UK10/EU44
 P0200330 UK11/EU45 / P0200331 UK12/EU46 **£79.99***

Designed to keep your feet warm and dry, the DriFish Boots are perfect for all weather conditions. A strong reinforced sole with a moulded tread offers the perfect balance of comfort and grip in all terrains. The robust neoprene upper offers great range of movement while retaining the all-important waterproofness.

A stylish design and colour combination make the DriFish Boots appealing both on and off the bank.

50% Rubber, 40% 6mm Neoprene, 10% Polyester



DRIFISH™
 PERFORMANCE FISHING CLOTHING

DRIFISH TROUSERS

P0200110 M / P0200111 L / P0200112 XL
 P0200113 XXL **£54.99***

An all new design, the DriFish Trousers feature a lightweight stylish grey and black waterproof material which is extremely hard wearing and perfect for early season use. Featuring reinforcement in the knee and seat areas for increased durability, adjustable waist belt, waterproof zipped pockets and adjustable ankle area.

100% Polyester



DRIFISH™
 PERFORMANCE FISHING CLOTHING

DRIFISH BIB & BRACE

P0200106 M / P0200107 L / P0200108 XL
 P0200109 XXL **£59.99***

A brand-new updated version of the previous DriFish Bib & Brace designed in a stylish light weight grey and black waterproof material perfect for year-round use. This product also benefits from key improvements such as reinforcement around the knee and seat area, elasticated waist, adjustable straps and adjustable ankle area.

100% Polyester



NEW
2022

BREATHABLE

WINDPROOF



NEW
2022

SOFT SHELL JACKET

P0200240 M / P0200241 L / P0200242 XL
P0200243 XXL / P0200244 XXXL **£69.99***

The Soft Shell Jacket is perfect for wearing on cool days where it offers fantastic protection from the wind and the cold and is also showerproof. It features elasticated cuffs which help to eliminate any water running down your arm and three zip pockets, ideal for housing your phone, keys and other valuables. The adjustable hood helps to keep out the wind and any small rain showers that you may encounter during the session. The Soft Shell material is soft and comfortable making it ideal to wear as a standalone item, equally it can be worn underneath a waterproof suit in wet conditions.

*Outer 95% Polyester 5% Elastene Shell 100% TPU Membrane
lining/padding 100% Polyester (micro fleece)*

WINDPROOF FLEECE JACKET

P0200245 M / P0200246 L / P0200247 XL
P0200248 XXL / P0200249 XXXL **£74.99***

The Windproof Fleece Jacket is the ideal choice in cold weather in spring, autumn and especially winter where the unique windproof, breathable material will keep you both warm and most importantly comfortable while on the bank. Features draw cords on the hood and waist and elasticated cuffs which help to keep water from running down your arms. There are three pockets which are perfect for storing valuables like phones and keys. The jacket can be worn underneath a waterproof suit for additional warmth and in wet conditions.

Outer 100% Polyester / lining/padding 100% Polyester



CELCIUS PUFFER JACKET

P0200224 M / P0200225 L / P0200226 XL
P0200227 XXL / P0200228 XXXL **£64.99***

The Celcius Puffer Jacket is both warm and stylish and is the perfect garment for cooler conditions. It is constructed from multi-layer insulation with a showerproof outer fabric.

- Super-warm insulated jacket
- Adjustable hood
- Zipped hand pockets
- Multi-layer insulation
- Elasticated waist and cuffs
- Showerproof outer fabric

100% Nylon / lining/padding 100% Polyester



THERMAL



CELCIUS THERMAL ZIP HOODIE

P0200235 M / P0200236 L / P0200237 XL
 P0200238 XXL / P0200239 XXXL
£54.99*

The Celcius Thermal Zip Hoodie is made from high quality materials to ensure it is comfortable, hardwearing and stylish. Its constructed from two layers of material to keep you warm on the coldest of days in winter. Features a chunky pull cord adjustment for the hood and elasticated waistband and cuffs. The YKK zipper is extremely reliable and durable.

80% Cotton 20% Polyester / lining/padding 100% Polyester



BLACK HOODIE

P0200256 M / P0200257 L / P0200258 XL
 P0200259 XXL / P0200260 XXXL
£34.99*

80% Cotton 20% Polyester pullover hoodie in black with rubberised soft touch print to the front and large rubberised colour print to the rear.

80% Cotton 20% Polyester



GREY HOODIE

P0200261 M / P0200262 L / P0200263 XL
 P0200264 XXL / P0200265 XXXL
£34.99*

80% Cotton 20% Polyester Zip hoodie in grey marl with rubberised soft touch print to the front and large rubberised print to the rear. High quality YKK zipper.

80% Cotton 20% Polyester



TRACKSUIT JACKET

P0200129 M / P0200130 L / P0200131 XL
P0200132 XXL **£29.99***

This jacket has been designed to be the perfect spring/summer jacket when you want to remain warm without the added thickness of a hoodie or fleece type jacket. Thanks to the modern stylish look this jacket will not look out of place off the bank and when combined with the tracksuit bottoms it makes the perfect combination.

100% Polyester



TRACKSUIT BOTTOMS

P0200133 M / P0200134 L / P0200135 XL
P0200136 XXL **£26.99***

These tracksuit bottoms are the perfect choice for the warmer months thanks to the light weight, comfortable material. The brand-new design looks extremely stylish and modern and will look at home both on and off the bank. They also feature an elasticated waist and ankle area which aids in keeping unwanted draughts out and also ensure you have the perfect fit.

100% Polyester



BLACK T-SHIRT

P0200276 M / P0200277 L / P0200278 XL
P0200279 XXL / P0200280 XXXL **£15.99***

100% cotton T-shirt finished in black with white logo's to front and rear.

100% Cotton



GREY T-SHIRT

P0200281 M / P0200282 L / P0200283 XL
P0200284 XXL / P0200285 XXXL **£15.99***

100% cotton T-shirt in a light grey marl. Large printed design to the front.

100% Cotton



BLACK POLO

P0200286 M / P0200287 L / P0200288 XL
P0200289 XXL / P0200290 XXXL **£22.99***

60% Cotton, 40% Polyester black polo shirt with smart embroidered branded detailing.

60% Cotton 40% Polyester



GREY POLO

P0200291 M / P0200292 L / P0200293 XL
P0200294 XXL / P0200295 XXXL **£22.99***

60% Cotton, 40% Polyester light marl grey polo shirt with smart embroidered branded detailing.

60% Cotton 40% Polyester



THERMAL

CELSIUS JOGGERS

P0200332 M / P0200333 L / P0200334 XL
P0200335 XXL / P0200336 XXXL **£44.99***

Perfect for colder weather, the Celsius Joggers are constructed with two layers of material which help to keep you warm on the coldest of days. Made from high quality materials to ensure maximum comfort while being hardwearing and stylish. Elasticated waist and ankles for a comfortable fit.

*Outer 80% Cotton 20% Polyester /
lining/padding 100% Polyester*



BLACK JOGGERS

P0200266 M / P0200267 L / P0200268 XL
P0200269 XXL / P0200270 XXXL **£32.99***

Manufactured from the highest quality materials, the Black Joggers are both durable and incredibly comfortable to wear for long sessions. The joggers feature two pockets which incorporate YKK zips meaning they are extremely strong, ideal for storing items such as keys, wallets and phones. An elasticated waist band with chunky pull cords and elasticated ankle area ensure a good fit.

80% Cotton 20% Polyester



BLACK SHORTS

P0200271 M / P0200272 L / P0200273 XL
P0200274 XXL / P0200275 XXXL **£24.99***

Manufactured from the highest quality materials, the Black Jogger Shorts are both durable and incredibly comfortable to wear for long sessions while the 260gsm material is thin enough to wear in the warm summer weather. The shorts feature two pockets which incorporate YKK zips meaning they are extremely strong, ideal for storing items such as keys, wallets and phones while the elasticated waist band with chunky pull cords ensure a good fit.

80% Cotton 20% Polyester



CELSIUS SOCKS

P0200222 Size 6-9 (38.5-43.5) 39-43
P0200223 Size 10-13 (44.5-47.5) 44-48
£13.99*

Comfortable and warm, the Celsius Socks are designed to be worn in the coldest conditions. Made from a top quality Merino wool blend, they offer outstanding breathability as well as unrivalled durability.

*43% Merino wool, 43% Acrylic
12% Spandex, 2% Nylon*



NEOPRENE GLOVES

P0200230 S/M / P0200231 L/XL
£15.99*

The Neoprene Gloves are warm, comfortable and lightweight making them a must in cold and wet weather conditions. They can be easily adjusted with the Velcro wrist adjuster while the thumb, index and middle fingers have a section that folds back, allowing you to uncover your fingers for more delicate operations like baiting up and unhooking fish.

100% Neoprene



Blue lens



Green lens

FLOATER PRO

FLOATER PRO POLARISED SUNGLASSES

P0200250 Blue Lens / P0200251 Green Lens **£19.99***

Floater Pro Polarised Sunglasses are a comfortable wrap round style, constructed from a lightweight floating plastic frame. The high quality polarised lenses will not only protect your eyes in sunny conditions but will also help to spot cruising fish and signs of fish activity in your peg. Available in two lens colour options, blue lenses are best when in extremely bright sunny conditions while the green lens is an allrounder, perfect on those days with a mixture of sun and cloud.



X-LT

X-LT POLARISED SUNGLASSES

P0200252 **£24.99***

The X-LT polarised sunglasses are exceptionally lightweight weighing just 18g, combined with a comfortable frameless design incorporating soft touch nose support. The polarised lenses help to protect your eyes in sunny conditions but also help to spot any fish activity. The grey lenses supplied are perfect for a wide range of light conditions making these glasses a great all round choice.



WATERPROOF BOBBLE HAT

P0200233 **£15.99***

This hat is both warm and comfortable and is designed to protect you on wintry days. There is a waterproof membrane between the outer shell and internal layer making the hat suitable for the most extreme winter weather.

100% Acrylic / lining/padding 100% Polyester



WAFFLE BEANIE HAT

P0200234 **£11.99***

The Waffle Beanie Hat is both warm and comfortable and is designed to protect you on wintry days. The internal layer is extremely soft and comfortable while the dual layers minimise any wind chill.

100% Acrylic / lining/padding 100% Polyester



DRIFISH NECK WARMER

P0200232

Lightweight and extremely warm, the Drifish Neck Warmer helps to keep you warm in the coldest winter conditions, also ideal on milder days to keep to wind chill off. Can be worn in multiple ways, covering neck, ears and head.

95% Polyester 5% Spandex



Original Cap



Stealth Cap



Venta Mesh Cap

CAPS

P0200253 Original Cap / P0200254 Stealth Cap / P0200255 Venta Mesh Cap

Three new caps have been added to the range for this season which all feature an adjustable Velcro strap and a modern look making these caps extremely stylish and comfortable. The Venta Mesh Cap is particularly good in warm weather, helping to keep your head cool.

80% Cotton 20% Polyester
(P0200255 mesh 100% Polyester)



www.prestoninnovations.com

Preston Innovations Limited: Stafford Park 12, Telford, Shropshire, TF3 3BJ, UK T: 01952 290520
Preston Innovations Europe BV: Dennenlaan 3A, 2340 Beerse, Belgium T: +32 3660 2990

Trade Marks include: Absolute® Accu-Power® Ascension® Banjo® CAD Pots® Carbon Active® Centris® Distance Master® Dura Hollo® Dura Wag® Dutch Master® Extremity® i-Design UK® Ignition® Inception® Inertia® Intensity® Mag Lok® Magnitude® Master Class® Mini F1® Monster® Off Box® On Box® Power Max® Reflo® Reflo Power® Response® Roller Pulla® Snap Lok® Stormshield® Stotz® Supera® Superium® Venta-Lite® Wandzee®

All Preston Innovations products are covered by intellectual property rights. Specifications are correct as of March 2022. All specifications are approximate and may vary or be modified. This catalogue supersedes all previous editions. ©2022 Preston Innovations Limited